

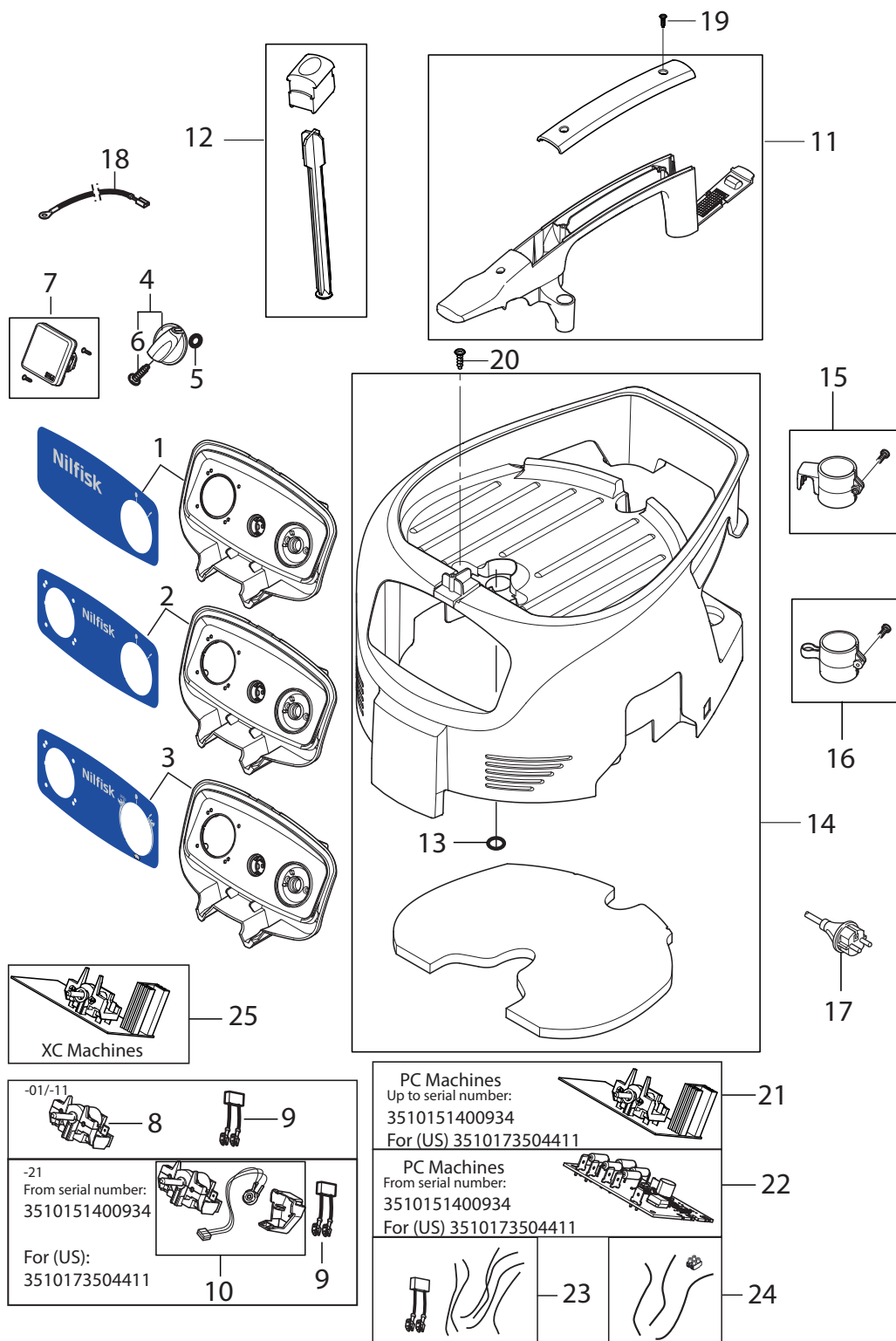
PARTS LIST



2020.04.09

TABLE OF CONTENTS

Cabinet Push Clean & Basic & XC	1
Cabinet EC and Clean Room	4
Filtersystem Push Clean & Basic	6
Filtersystem XC	8
Motor Basic and Push Clean	10
Motor XC	12
Motor EC and Clean Room	14
Container ATTIX 50	16
Accessories	18
RECOMMENDED SPARE PARTS	20



Pos.	Артикул	кол-во	Описание	Notes
00	302003502	1	BOX KIT ATTIX 30	
00	302003503	1	BOX KIT ATTIX 40	
00	302003504	1	BOX ATTIX 50	
1	302004047	1	SWITCHBOX NILFISK-ALTO 01PC	
2	302004048	1	SWITCHBOX NILFISK-ALTO 11PC	
3	302004049	1	SWITCHBOX NILFISK-ALTO 21PC	[1]
4	909100204	1	ROTARY KNOB 6X5 ALTO BLUE	
5	9868	1	O-RING 10,2x2,5 NBR 70SH	
6	32526	1	TREAD-CUTTING SCREW 2.9X19 C ISO 1483 ZN	
7	302004036	1	SOCKET 16A/250V FR	
7	302004336	1	SOCKET 13A/250V GB	
7	107400060	1	SOCKET 16A/250V DK	
7	302004034	1	SOCKET 16A/250V EU	
7	107400059	1	SOCKET 10A/250V CH	
7	107400057	1	SOCKET 16A/110V GB	
7	302004338	1	SOCKET 15A/125V US/CSA	
8	107413448	1	ROTARY SWITCH 2 POS 16A KIT	[2]
9	107404542	1	ANTI-INTEFERENCE CAPACITOR SET	
10	107413449	1	ROTARY SWITCH 3 POS+REG 16A KIT	[3]
11	302004050	1	HANDLE XC	[4]
11	107400062	1	HANDLE PC	[5]
12	302004051	1	FILTER DEDUSTER	[6]
13	302004061	1	O-RING 25X2 NBR 70	
14	107400061	1	COVER BLACK XC BASIC	
14	302004046	1	COVER BLACK PC	
15	302004027	1	TUBE HOLDER HOOK	
16	107400064	1	TUBE HOLDER SNAP	
17	107402644	1	POWER CORD H05RR-F2X0.75X8.25	[7]
17	107417418	1	POWER CORD KIT VCTF 1.25MM 3C JP PSE	[8]
17	107400268	1	CORD H05RR-F 2X0.75 GB	
17	107409849	1	POWER CORD H05RN-F 2X1.0X8.25M AU - KIT	[9]
17	302004038	1	POWER CORD H07RN-F2X1X8.05	[10]
17	302004332	1	POWER CORD SJTW-A AWG14/3X8.4 US	[11]
17	107402642	1	POWER CORD H05RR-F 3G1.0X8.2	[12]
17	107400267	1	CORD H05RR-F 3G1.0 CH	[13]
17	302004014	1	CORD H07RN-F2X1X8.05 CEE7 EU	[14]
17	107402641	1	POWER CORD H05RR-F 3G1.5X8X2	[15]
17	107400272	1	CORD H05RR-F 3G1.5 ZA	[16]
17	302004040	1	CORD SJTW-A AWG16/2 JP	[17]
17	107400271	1	CORD H07BQ-F 3G2.5 GB	[18]
17	107400270	1	CORD H05RR-F 3G1.5 BS1 363 GB	[19]
17	107400266	1	CORD H05RR-F 2X0.75 CH	[20]
17	107409133	1	POWER CORD H05VV-F 3x1,5 8,4M EU ORANGE	[21]
18	107400263	1	WIRE 2.5 X 250 YE/GR 100-120V	
18	107400264	1	WIRE 1 X 150 220-240V	
19	302004032	1	SCREW PT35X18	
20	302004029	1	SCREW PT50X18	
21	302004060	1	AUTO ON-OFF SWITCH E.SOFTSTART	[22]
21	302004011	1	AUTO ON-OFF SWITCH ELECTRONIC	[23]
21	107400470	1	AUTO ON-OFF ELECTRONIC PC	[24]
22	107413465	1	PCBA 1M-1S KIT1 220-240V	[25]
22	107413466	1	PCBA 1M-1S KIT1 100-120V	[26]
22	107413467	1	PCBA AUTO ON/OFF 1M-1S KIT1 220-240V	[27]
22	107413468	1	PCBA AUTO ON/OFF 1M-1S KIT1 100-120V	[28]
23	107414081	1	WIRE/CAPACITOR KIT1	
24	107414082	1	WIRES FOR US SOCKET KIT	[29]
25	107400261	1	AUTO ON-OFF PCB XC 100-120V	[30]
25	107400260	1	AUTO ON-OFF PCB XC 230-240V	[31]

Part Notes:

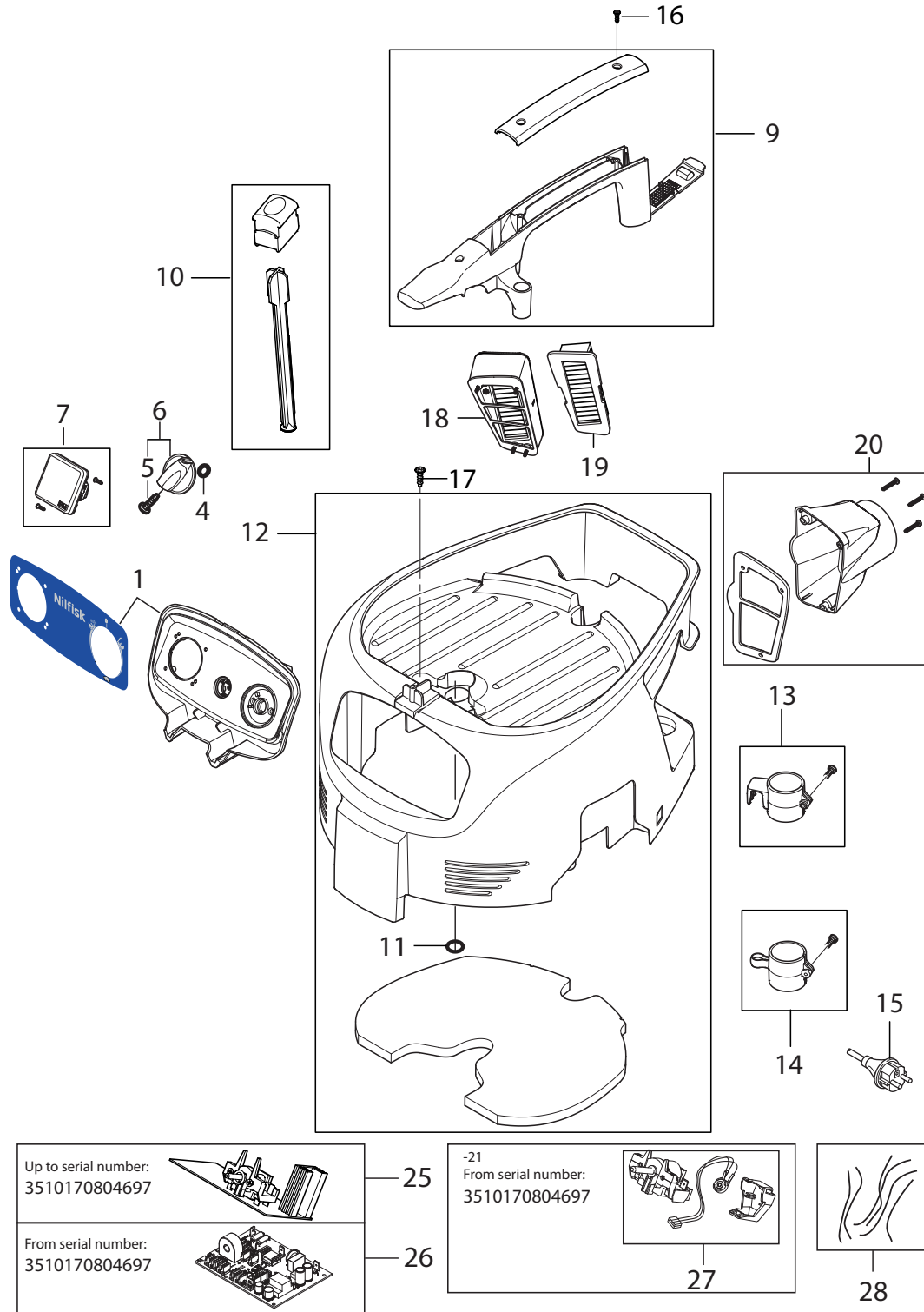
- [1] - for Push clean and XC
- [2] - for -01 PC without softstart
- [3] - From Serial Number 3510151400934
- [4] - Basic/XC
- [5] - for Push clean
- [6] - Only Push Clean models
- [7] - 220-240V 50/60HZ EU
- [8] - 100V 50/60HZ JP
- [9] - ATTIX 30-01 PC 240V 50HZ AU
- [10] - GB
- [11] - 120V 60HZ US
- [12] - DK - grounding
- [13] - 220-240V 50/60HZ CH
- [14] - ATTIX 30-01 PC 220-240V 50/60HZ EU
- [15] - 21 XC 230/1/50 EU
- [16] - 220-240V 50/60HZ ZA
- [17] - 100V/50-60HZ JP (Approval UL)
- [18] - 110 1 50 GB
- [19] - 0H PC 230/1/50 GB, 2M PC 230/1/50 GB
- [20] - 230/1/50 CH
- [21] - Orange 220-240V 50/60HZ EU
- [22] - for -01 PC, -11PC (230-240V)

- Up to Serial Number 3510151400934
- Up to Serial Number(US) 3510173504411
PB-COM-LI-2015-001 ATTIX 30-40-50 PC_New Electronics
- [23] - for -21 PC (230-240V)

- Up to Serial Number 3510151400934
- Up to Serial Number(US) 3510173504411
PB-COM-LI-2015-001 ATTIX 30-40-50 PC_New Electronics
- [24] - for -21 PC (110-120V)

- Up to Serial Number 3510151400934
- Up to Serial Number(US) 3510173504411
PB-COM-LI-2015-001 ATTIX 30-40-50 PC_New Electronics
- [25] - -01 PC, -11 PC (230-240V),
From Serial Number 3510151400934

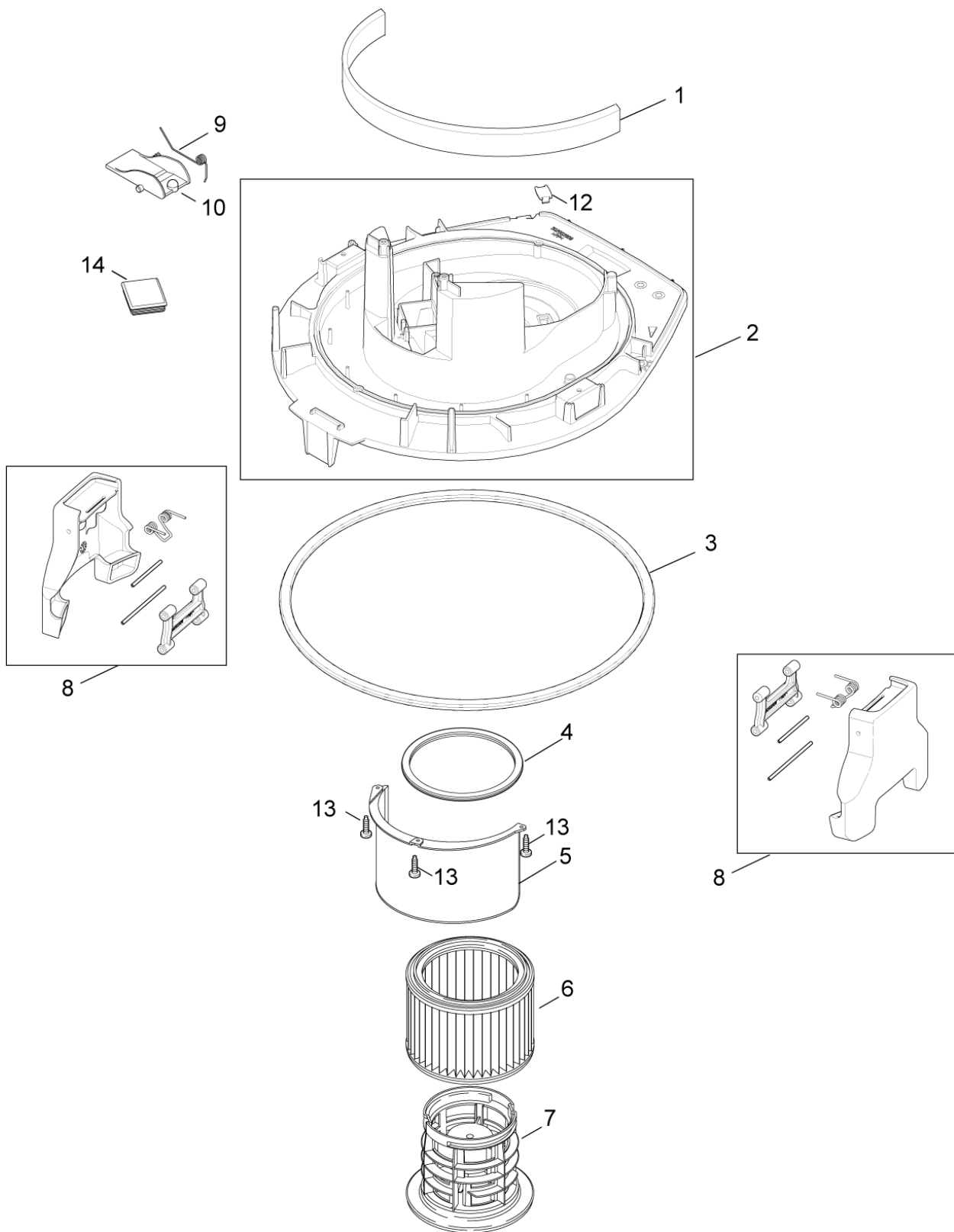
- PB-COM-LI-2015-001 ATTIX 30-40-50 PC_New Electronics
- [26] - -01 PC (110-120V) From Serial Number(US) 3510173504411
PB-COM-LI-2015-001 ATTIX 30-40-50 PC_New Electronics
- [27] - -21 PC (230V), From Serial Number 3510151400934
PB-COM-LI-2015-001 ATTIX 30-40-50 PC_New Electronics
- [28] - -21 PC (100-120V) From Serial Number (US) 3510173504411
PB-COM-LI-2015-001 ATTIX 30-40-50 PC_New Electronics
- [29] - US only
- [30] - for -21 XC (100-120V)
PB-COM-LI-2015-001 ATTIX 30-40-50 PC_New Electronics
- [31] - for -21 XC(230-240V)
PB-COM-LI-2015-001 ATTIX 30-40-50 PC_New Electronics



Pos.	Артикул	кол-во	Описание	Notes
1	302004049	1	SWITCHBOX NILFISK-ALTO 21PC	
4	9868	1	O-RING 10,2x2,5 NBR 70SH	
5	32526	1	TREAD-CUTTING SCREW 2.9X19 C ISO 1483 ZN	
6	909100204	1	ROTARY KNOB 6X5 ALTO BLUE	
7	302004034	1	SOCKET 16A/250V EU	
9	107400062	1	HANDLE PC	
10	302004051	1	FILTER DEDUSTER	
11	302004061	1	O-RING 25X2 NBR 70	
12	302004046	1	COVER BLACK PC	
13	302004027	1	TUBE HOLDER HOOK	
14	107400064	1	TUBE HOLDER SNAP	
15	107402641	1	POWER CORD H05RR-F 3G1.5X8X2	
16	302004032	1	SCREW PT35X18	
17	302004029	1	SCREW PT50X18	
18	302003721	1	MOTOR COOLING FILTER KIT	[1]
19	107400453	1	FILTER FOR MOTOR COOLING 30/40/50	[1]
20	302003717	1	Коллектор отработанного воздуха	[1]
25	107400730	1	ELECTRONICS 21 PC EC 230V SET1	
26	107416928	1	PCBA AUTO ON/OFF 1M -1S EC KIT1 220-240V	
27	107413449	1	ROTARY SWITCH 3 POS+REG 16A KIT	
28	107416927	1	WIRE/CAPACITOR KIT2	

Part Notes:

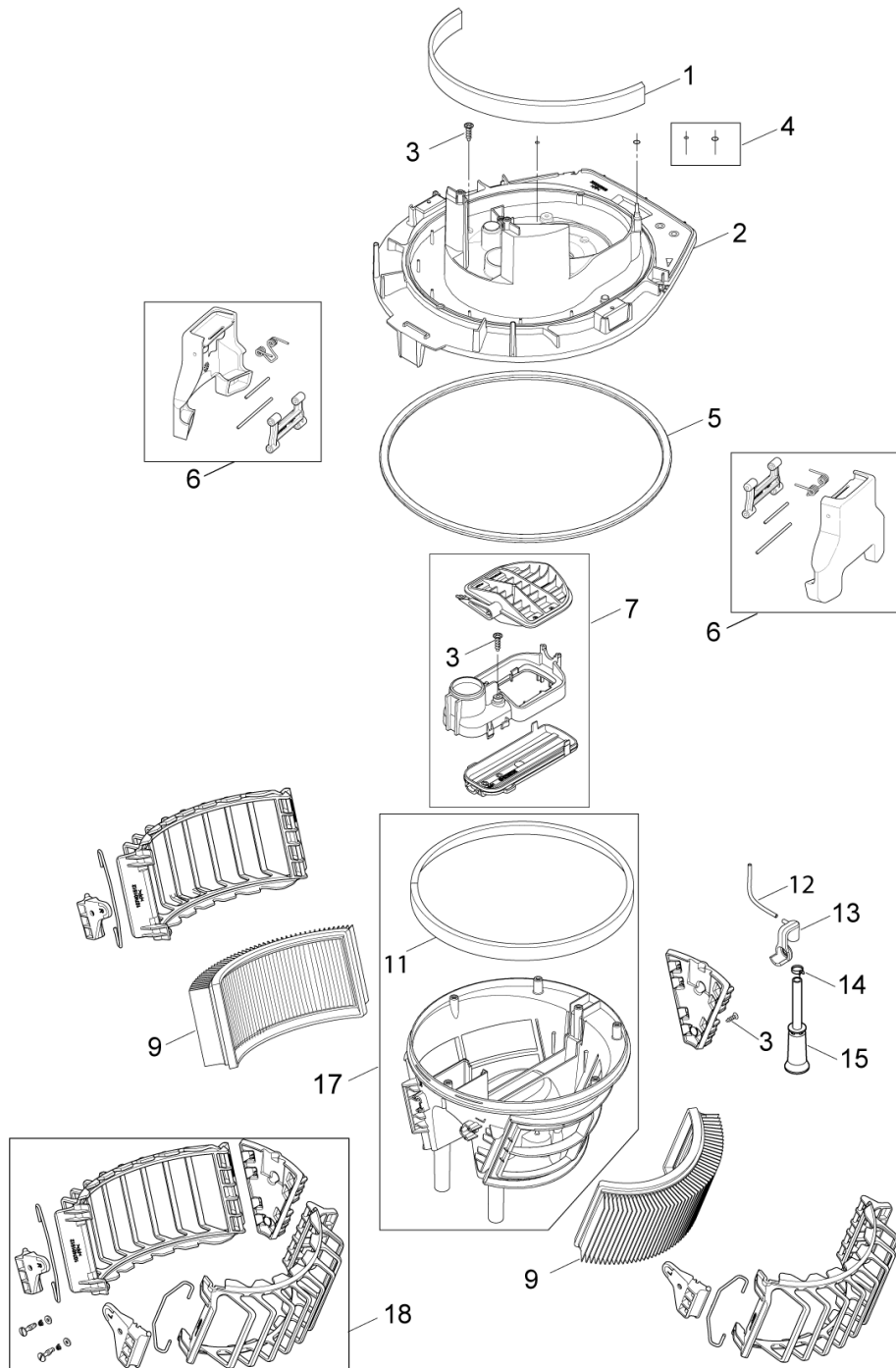
[1] - Only Clean Room



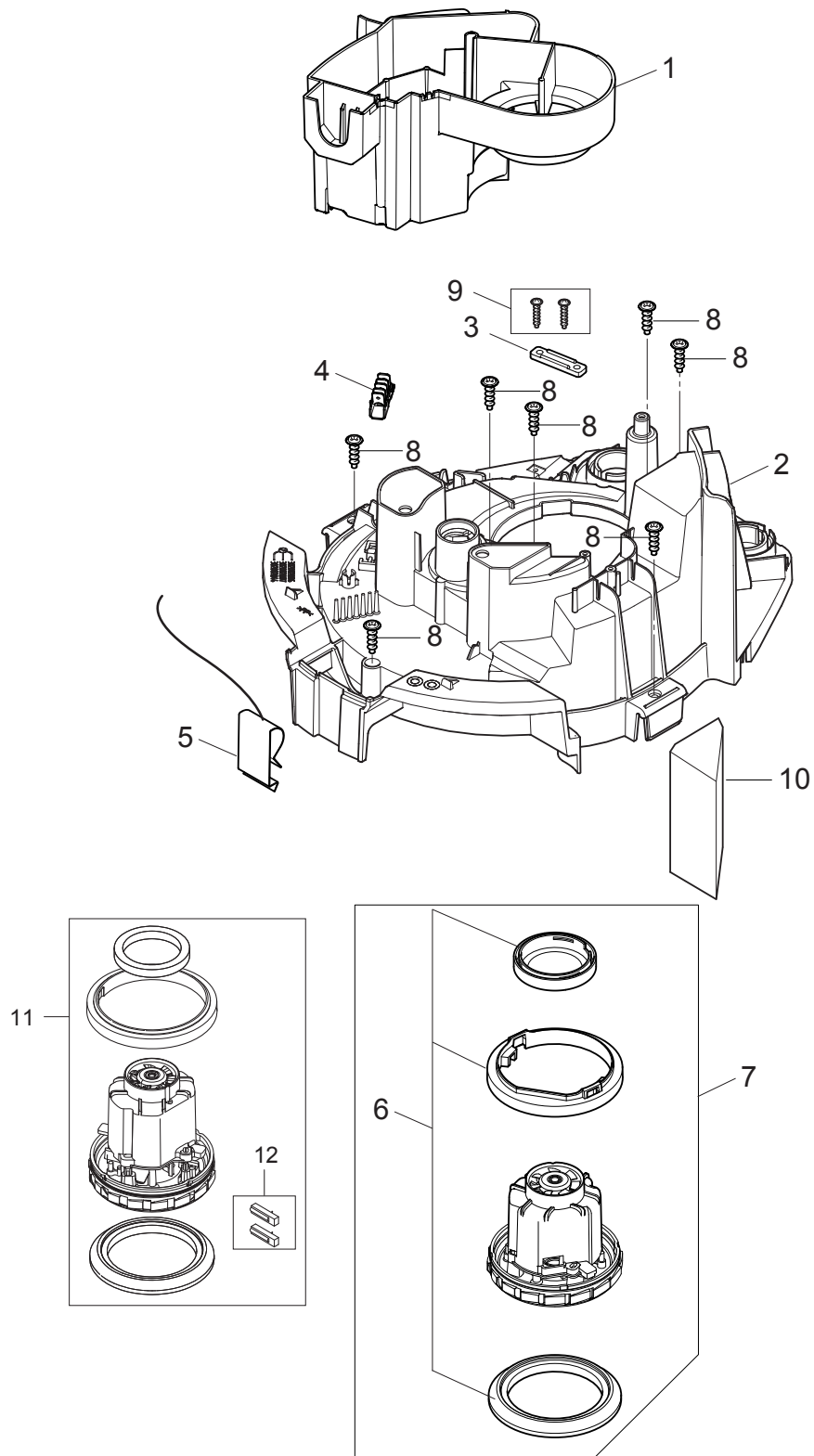
Pos.	Артикул	кол-во	Описание	Notes
1	302004010	1	SOUND INSULATION FRONT	
2	302004007	1	BASEPLATE PC	
3	107400056	1	GASKET FOR CONTAINER	[1]
3	302004008	1	GASKET FOR CONTAINER	[2]
4	302000460	1	GASKET FILTER	
5	302004016	1	DEFLECTOR	
6	302000490	1	Filterelement ATTIX	
6	302001095	1	FILTER ELEMENT ?185X140 HEPA H14	[3]
6	302000658	1	FILTER ELEMENT ?211X140 H-CLASS	[4]
7	107402646	1	FILTER SUPPORT CAGE ATTIX/AERO PP	
8	107400301	2	CONTAINER CLAMP	[5]
9	909100083	1	Пружина D0.9X18X45	
10	302000344	1	FLAP 79X53X25 ATTIX 30	
12	107401937	1	PLUG BASE PLATE KIT	[6]
13	302004029	3	SCREW PT50X18	
14	302004058	1	PLUG FOR BASIC	

Part Notes:

- [1] - ATTIX 50
- [2] - ATTIX 30
- [3] - HEPA
- [4] - FOR ATTIX 50-21 PC CLEAN ROOM
- [5] - For machines produced before serial number 09110030030
use Container upgrate kit 107400311, ATTIX 30 or 107400312, ATTIX 50Vac-092 clamp and container
- [6] - For machines up to week 35.2011



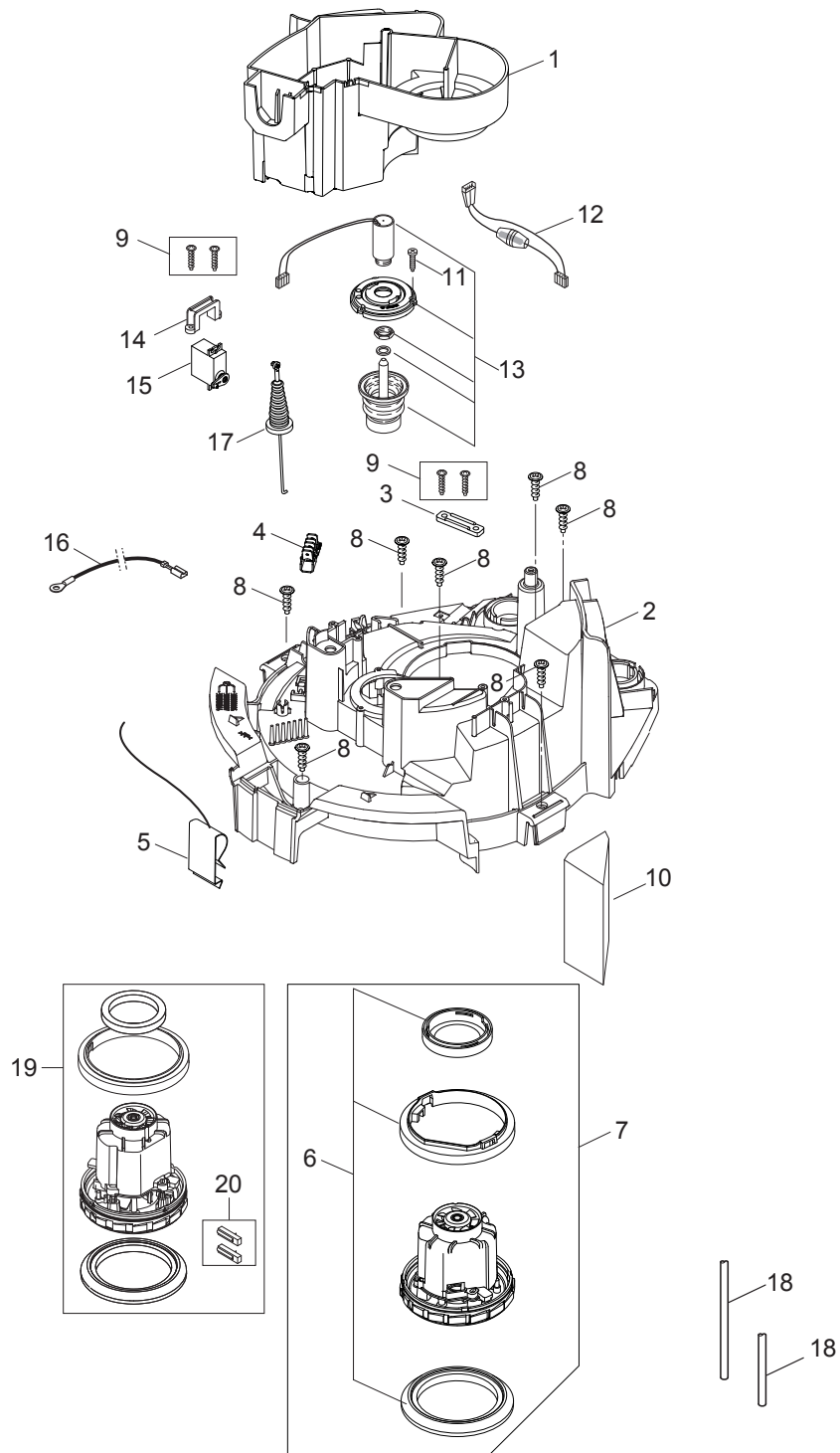
Pos.	Артикул	кол-во	Описание	Notes
1	302004010	1	SOUND INSULATION FRONT	
2	107400300	1	BASEPLATE XC	
3	302004029	9	SCREW PT50X18	
4	107400274	1	O-RING XC KIT	
5	107400056	1	GASKET FOR CONTAINER	
6	107400301	2	CONTAINER CLAMP	
7	107400277	1	CX FLAP KIT	
9	302002842	1	FLAT FILTER PET NANO M-CLASS SET 2 PCS	
11	107400283	1	SEALING FOR XC	
12	107400855	1	HOSE D3X1.5 TURBINE SIDE XC	
13	107400310	1	MOUNT FOR WATERLEVEL CONTROL	
14	107400285	1	BAND CLAMP FITTING	
15	107400303	1	HOSE D42X155 FILL LEV. SHUTOFF	
17	107400302	1	FILTERBRACKET XC	
18	107402255	1	FILTER MOUNTING KIT XC	



Pos.	Артикул	кол-во	Описание	Notes
1	302004015	1	AIRGUIDE	[1]
2	302004009	1	CLAMPINGPLATE PC	
3	302004030	1	STRAP FOR CABLE	
4	302004031	1	DISTRIBUTION STRIP 6-POL 16A	
5	302004023	1	CONTACT SPRING	
6	302003385	1	SEALING KIT R	
7	302003384	1	MOTOR KIT 1200W 230V	
7	302004006	1	MOTOR 1200W/100V JP W.GASKET	
8	302004029	7	SCREW PT50X18	
9	302004032	1	SCREW PT35X18	
10	302004045	1	SOUND INSULATION OUTLET	
11	107417417	1	MOTOR KIT 1000W 110-120V 50/60HZ	[2]
12	107417399	1	CARBON BRUSH ASSY KIT 2 PCS 110-120V	[2]

Part Notes:

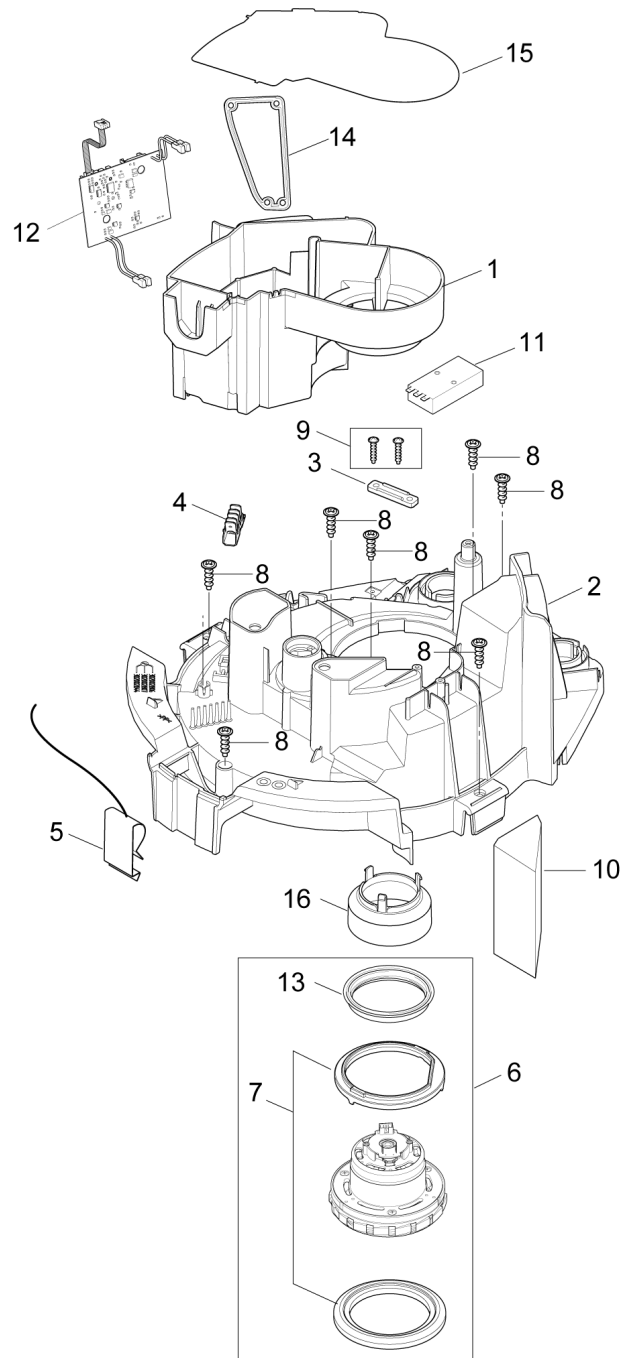
- [1] - During service or repair of vacuum head always change Airguide 302004015 and Cover for air circuit 107401051
- [2] - 110V 50HZ GB, 120V 60HZ US
- TSB-LI-VACS-2016-001 New Attix 30 and Attix 50 motor



Pos.	Артикул	кол-во	Описание	Notes
1	302004015	1	AIRGUIDE	[1]
2	107400287	1	CLAMPINGPLATE XC	
3	302004030	1	STRAP FOR CABLE	
4	302004031	1	DISTRIBUTION STRIP 6-POL 16A	
5	302004023	1	CONTACT SPRING	
6	302003385	1	SEALING KIT R	
7	302003384	1	MOTOR KIT 1200W 230V	
7	302004006	1	MOTOR 1200W/100V JP W.GASKET	
8	302004029	7	SCREW PT50X18	
9	302004032	2	SCREW PT35X18	
10	302004045	1	SOUND INSULATION OUTLET	
11	302003319	3	SCREW KIT ATTIX/IVB	
12	107410697	1	SOLENOID FUSE WIRE 230V AT 0,5A KIT	
13	107400291	1	MAGNET 24V FPR 230V MACHINE	
13	107400292	1	MAGNET 12V FPR 110V MACHINE	
14	107400289	1	SERVO BRACKET	
15	107400290	1	SERVO FOR XC	
16	107400262	1	WIRE 1X200 YELLOW/GREEN	
17	107400276	1	SERVO WIRE XC	
18	107400309	2	HOSE D3X1.5 TURBINE SIDE XC	
19	107417417	1	MOTOR KIT 1000W 110-120V 50/60HZ	[2]
20	107417399	1	CARBON BRUSH ASSY KIT 2 PCS 110-120V	[2]

Part Notes:

- [1] - During service or repair of vacuum head always change Airguide 302004015 and Cover for air circuit 107401051
- [2] - 110V 50HZ GB, 120V 60HZ US
TSB-LI-VACS-2016-001 New Attix 30 and Attix 50 motor

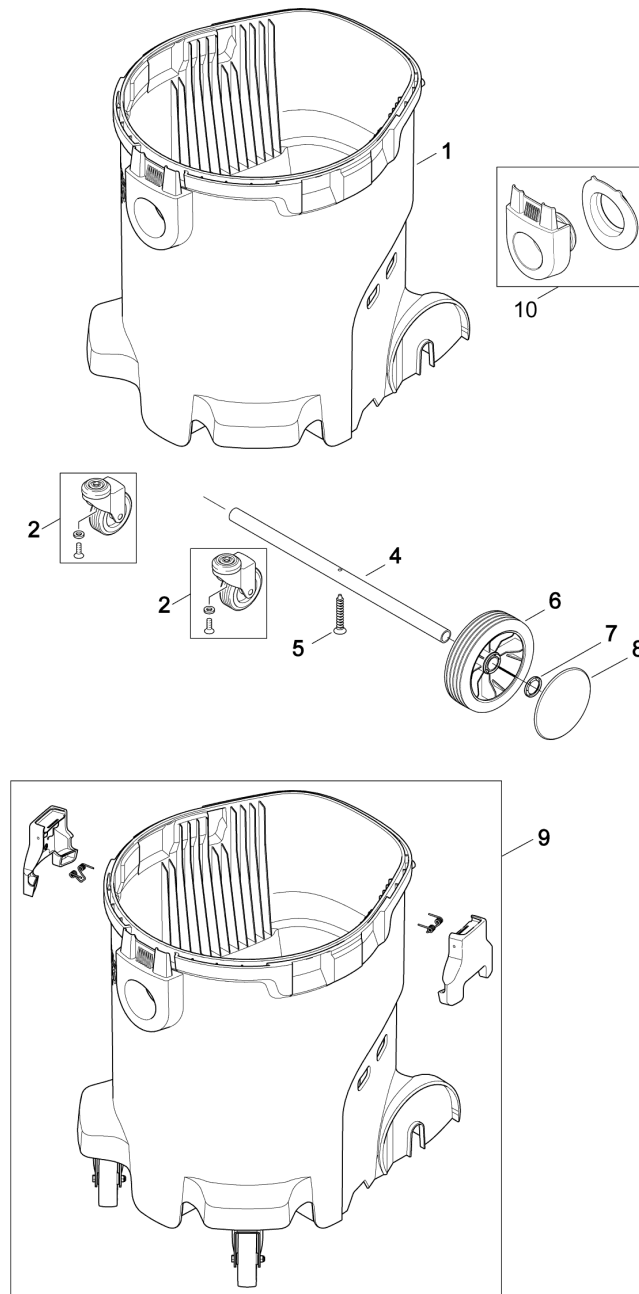


Pos.	Артикул	кол-во	Описание	Notes
1	302004015	1	AIRGUIDE	[1]
2	302004009	1	CLAMPINGPLATE PC	
3	302004030	1	STRAP FOR CABLE	
4	302004031	1	DISTRIBUTION STRIP 6-POL 16A	
5	302004023	1	CONTACT SPRING	
6	107400042	1	MOTOR EC SET	
7	302003648	1	SEALING KIT R	
8	302004029	7	SCREW PT50X18	
9	302004032	1	SCREW PT35X18	
10	302004045	1	SOUND INSULATION OUTLET	
11	107402619	1	SCREENING FILTER KIT	
12	107400044	1	ELECTRONIC EC MOTOR KIT	
13	47364	1	PACKING RING 108X86X18	
14	107401050	1	INNER SEALING ATTIX 30-40-50	[2]
15	107401051	1	COVER FOR AIR CIRCUIT	[3]
16	107401936	1	HOOD FOR EC	

Part Notes:

- [1] - During service or repair of vacuum head always change Airguide 302004015 and Cover for air circuit 107401051
- [2] - EC and Clean Room
- [3] - Clean Room -

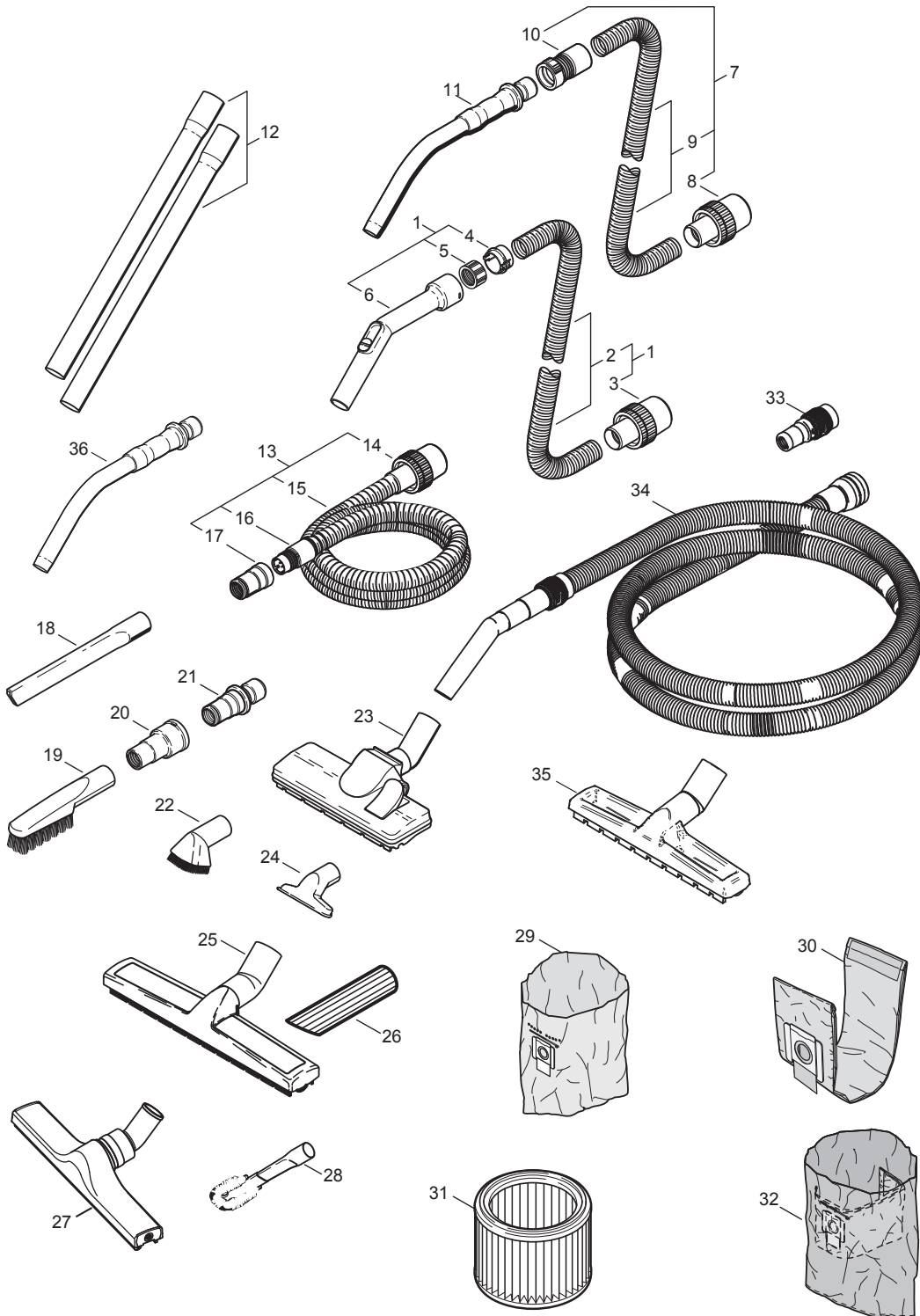
* Note: During service or repair of vacuum head always change Airguide 302004015 and Cover for air circuit 107401051



Pos.	Артикул	кол-во	Описание	Notes
1	107400305	1	CONTAINER WITH FITTING ATTIX50	[1]
2	302004059	2	FRONT WHEEL FOR CONTAINER	
4	302004022	1	WHEEL AXLE	
5	107400063	1	SCREW 5X35	
6	302000639	2	WHEEL D150X20 BLACK	
7	47302	2	CLAMPING RING 28.6 20	
8	67050	2	HUB CAP	
9	107400312	1	CONTAINER KIT ATTIX 50	[1]
10	107402742	1	INLET - KIT FOR ATTIX 30/50	

Part Notes:

- [1] - TSB Vac-092 clamp and container For machines produced before serial number 09110030030 use Container upgrade kit 107400312



Pos.	Артикул	кол-во	Описание	Notes
1	302000473	1	Шланг с изогн рукояткой D32X3000	
2	14240	1	Slang univ. 32mm p.mtr op vrd magazijn	
3	15103	1	SLEEVE CPL - VACUUM SIDE - D50/D32	
4	61154	1	RING ?32 PP	
5	302000476	1	BUSHING ?32 PP	
6	60911	1	CURVED HAND TUBE ?32/?35 ABS	
7	46948	1	Шланг универс D36X3000MM с соедин. EVA	
8	15102	1	SLEEVE CPL - VACUUM SIDE - D50/D36	
9	11985	1	HOSE UNIVERSAL ?36 EVA PER METRE	
10	46690	1	HOSE SLEEVE ?36MM B1/AS POM-EL	
11	302000528	1	CURVED HAND TUBE D36MM ST/CR	
12	107408074	1	EXTENSION TUBE ?36 2X505MM SS	
12	302000529	1	EXTENSION TUBE D36 2X505MM ST/CR	
12	107400032	1	EXTENSION TUBE D36 2X500MM ALU	
13	107406091	1	HOSE D27X3500 AS WITH TOOL ADAPTER	
14	15369	1	SLEEVE CPL - VACUUM SIDE - D50/D27 CONDU	
15	15326	1	HOSE AS ?27 EVA PER METRE	
16	63509	1	HOSE SLEEVE D27	
17	107404520	1	Адаптер для инструмента антистат.D27/36-24	
18	6084	1	CREVICE NOZZLE ?36X300 PP	
19	6086	1	BRUSH NOZZLE ?36X230 PP/PA	
20	60916	1	TOOL ADAPTER D27/35/38	
21	302000535	1	TOOL ADAPTER D27 QUICKSYSTEM	
22	5146	1	BRUSH NOZZLE ?36X70	
23	302000477	1	Комби-насадка D36X260MM	
24	14295	1	UNIVERSAL NOZZLE D36X115	
25	60356	1	Насадка 360x36mm	
26	5067	1	DIA. TUBE NOZZLE ?36x190 MM GREY RUBBER	
27	302003797	1	REPLACEMENT RUBBER LIPS. SET OF 2 PCS	[1]
27	302003796	1	REPLACEMENT BRUSH STRIPS. SET OF 2 PCS	[1]
27	302003666	1	Промышленная напольная насадка 36X400MM щетина	
28	5144	1	RADIATOR BRUSH NOZZLE ?36X420	
29	302000728	1	DISPOSAL BAG ATTIX 5/50 5 PCS	
30	302004004	1	FLEECE FILTER BAG 5 PCS ATTIX 40/50	
31	302000490	1	Filterelement ATTIX	
32	107400233	1	SAFETY FILTER BAG H ATTIX 30. 5 PCS	
32	107400236	1	SAFETY FILTER BAG H ATTIX 40/50. 5 PCS	
33	107409977	1	TOOL ADAPTER WITH SUCTION REGULATION D32	[2]
34	107409976	1	UNIV HOSE WITH HAND TUBE D32X3500 CPL.	[2]
35	107402706	1	FLOOR NOZZLE D36x300MM W/D KIT	
36	46691	1	CURVED HAND TUBE ?36MM SS	[3]
50	302003721	1	MOTOR COOLING FILTER KIT	[4]
50	302003717	1	Коллектор отработанного воздуха	[4]
50	302002842	1	FLAT FILTER PET NANO M-CLASS SET 2 PCS	[4]
50	107400453	1	FILTER FOR MOTOR COOLING 30/40/50	[4]
50	302000490	1	Filterelement ATTIX	[4]

Part Notes:

- [1] - For floor nozzle 302003666
- [2] - TSB-LI-VACS-2017-01 - AERO+ATTIX hose
- [3] - ATTIX 40
- [4] - See link

RECOMMENDED SPARE PARTS

ATTIX 50-21 PC

2017.11.02

2019.03.22

Pos.	Артикул	кол-во	Описание	Notes
01	107400267	1	CORD H05RR-F 3G1.0 CH	
01	107400044	1	ELECTRONIC EC MOTOR KIT	
01	107400730	1	ELECTRONICS 21 PC EC 230V SET1	
01	107400300	1	BASEPLATE XC	[1]
01	302000460	1	GASKET FILTER	
01	302001095	1	FILTER ELEMENT ?185X140 HEPA H14	[2]
01	302004040	1	CORD SJTW-A AWG16/2 JP	
01	302004038	1	POWER CORD H07RN-F2X1X8.05	
01	107400292	1	MAGNET 12V FPR 110V MACHINE	
01	107402619	1	SCREENING FILTER KIT	
01	302004060	1	AUTO ON-OFF SWITCH E.SOFTSTART	[3]
01	302000490	1	Filterelement ATTIX	
01	302004006	1	MOTOR 1200W/100V JP W.GASKET	
01	107400287	1	CLAMPINGPLATE XC	
01	107400060	1	SOCKET 16A/250V DK	
01	107401051	1	COVER FOR AIR CIRCUIT	[4]
01	302004059	1	FRONT WHEEL FOR CONTAINER	
01	302000728	1	DISPOSAL BAG ATTIX 5/50 5 PCS	
01	302004011	1	AUTO ON-OFF SWITCH ELECTRONIC	[5]
01	302004014	1	CORD H07RN-F2X1X8.05 CEE7 EU	
01	107400057	1	SOCKET 16A/110V GB	
01	302003384	1	MOTOR KIT 1200W 230V	
01	107400309	1	HOSE D3X1.5 TURBINE SIDE XC	
01	302002842	1	FLAT FILTER PET NANO M-CLASS SET 2 PCS	
01	47364	1	PACKING RING 108X86X18	
01	47302	1	CLAMPING RING 28.6 20	
01	107400291	1	MAGNET 24V FPR 230V MACHINE	
01	107413448	1	ROTARY SWITCH 2 POS 16A KIT	[6]
01	302004336	1	SOCKET 13A/250V GB	
01	107400272	1	CORD H05RR-F 3G1.5 ZA	
01	107417417	1	MOTOR KIT 1000W 110-120V 50/60HZ	
01	302003648	1	SEALING KIT R	
01	302004008	1	GASKET FOR CONTAINER	[7]
01	107400270	1	CORD H05RR-F 3G1.5 BS1 363 GB	
01	107401936	1	HOOD FOR EC	[8]
01	302003721	1	MOTOR COOLING FILTER KIT	[9]
01	107402255	1	FILTER MOUNTING KIT XC	
01	107402641	1	POWER CORD H05RR-F 3G1.5X8X2	
01	302003717	1	Коллектор отработанного воздуха	[9]
01	302004015	1	AIRGUIDE	[10]
01	302004058	1	PLUG FOR BASIC	
01	107400276	1	SERVO WIRE XC	
01	107401050	1	INNER SEALING ATTIX 30-40-50	[8]
01	107400064	1	TUBE HOLDER SNAP	
01	302004023	1	CONTACT SPRING	
01	107400283	1	SEALING FOR XC	[1]
01	107400261	1	AUTO ON-OFF PCB XC 100-120V	[11]
01	302000639	1	WHEEL D150X20 BLACK	
01	107409849	1	POWER CORD H05RN-F 2X1.0X8.25M AU - KIT	
01	302004007	1	BASEPLATE PC	
01	107402646	1	FILTER SUPPORT CAGE ATTIX/AERO PP	
01	107400312	1	CONTAINER KIT ATTIX 50	[12]
01	302004009	1	CLAMPINGPLATE PC	
01	107400266	1	CORD H05RR-F 2X0.75 CH	
01	107402255	1	FILTER MOUNTING KIT XC	[13]
01	302004004	1	FLEECE FILTER BAG 5 PCS ATTIX 40/50	
01	302004332	1	POWER CORD SJTW-A AWG14/3X8.4 US	
01	107400056	1	GASKET FOR CONTAINER	[14]
01	107400271	1	CORD H07BQ-F 3G2.5 GB	

RECOMMENDED SPARE PARTS

ATTIX 50-21 PC

2017.11.02

2019.03.22

Pos.	Артикул	кол-во	Описание	Notes
01	107400274	1	O-RING XC KIT	[1]
01	302004338	1	SOCKET 15A/125V US/CSA	
01	302004034	1	SOCKET 16A/250V EU	
01	107402644	1	POWER CORD H05RRR-F2X0.75X8.25	
01	107400042	1	MOTOR EC SET	
01	107400059	1	SOCKET 10A/250V CH	
01	107400268	1	CORD H05RRR-F 2X0.75 GB	
01	302003385	1	SEALING KIT R	
01	302002842	1	FLAT FILTER PET NANO M-CLASS SET 2 PCS	[1]
01	302004027	1	TUBE HOLDER HOOK	
01	107400301	1	CONTAINER CLAMP	[12]
01	302004036	1	SOCKET 16A/250V FR	
01	107400277	1	CX FLAP KIT	[1]
01	107402642	1	POWER CORD H05RRR-F 3G1.0X8.2	
01	107400453	1	FILTER FOR MOTOR COOLING 30/40/50	[9]
01	107400290	1	SERVO FOR XC	
01	107400260	1	AUTO ON-OFF PCB XC 230-240V	[15]

Part Notes:

- [1] - FILTERSYSTEM XC
- [2] - HEPA
- [3] - FOR -11 PC & -01 PC WITH SOFTSTART
- [4] - CLEAN ROOM -

* NOTE TSB Vac-092 clamp and container For machines produced before serial number 09110030030 use Container upgrade kit 107400311, ATTIX 30 or 107400312, ATTIX 50 ** NOTE: During service or repair of vacuum head always change Airguide 302004015 and Cover for air circuit 107401051

- [5] - FOR -21 PC
- [6] - FOR -01 PC WITHOUT SOFTSTART
- [7] - ATTIX 30
- [8] - EC AND CLEAN ROOM
- [9] - ONLY CLEAN ROOM
- [10] - During service or repair of vacuum head always change Airguide 302004015 and Cover for air circuit 107401051
- [11] - 100-120V
- [12] - TSB Vac-092 clamp and container For machines produced before serial number 09110030030 use Container upgrade kit 107400311, ATTIX 30 or 107400312, ATTIX 50
- [13] - FILTERSYSTEM XC FROM 2009
- [14] - ATTIX 50
- [15] - 230-240V

