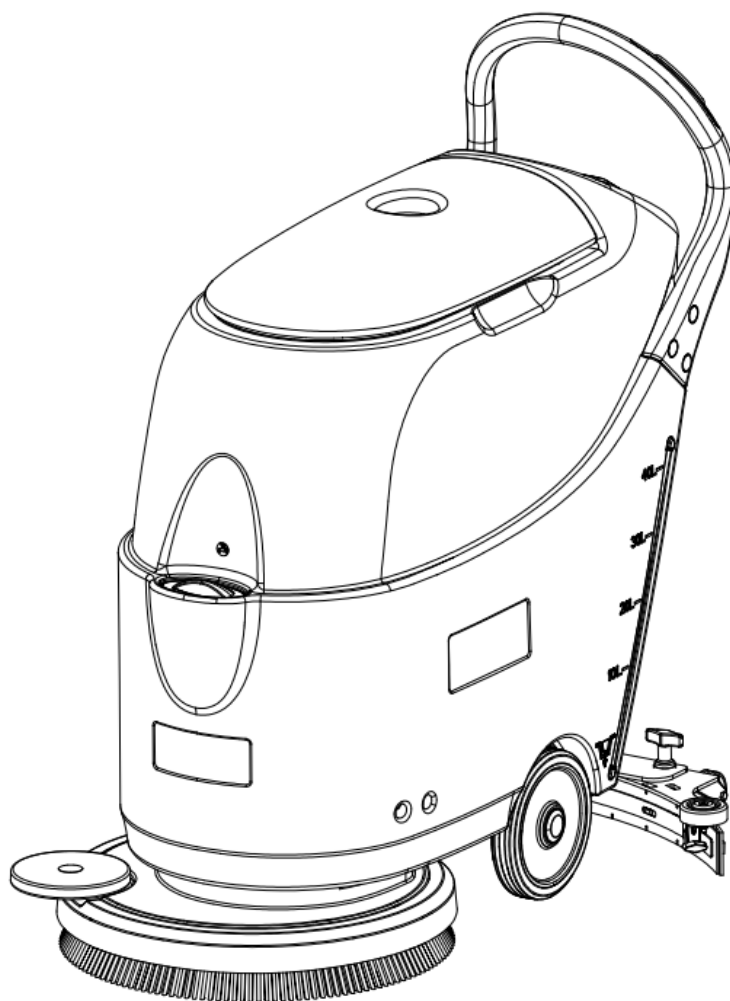


# PARTS LIST

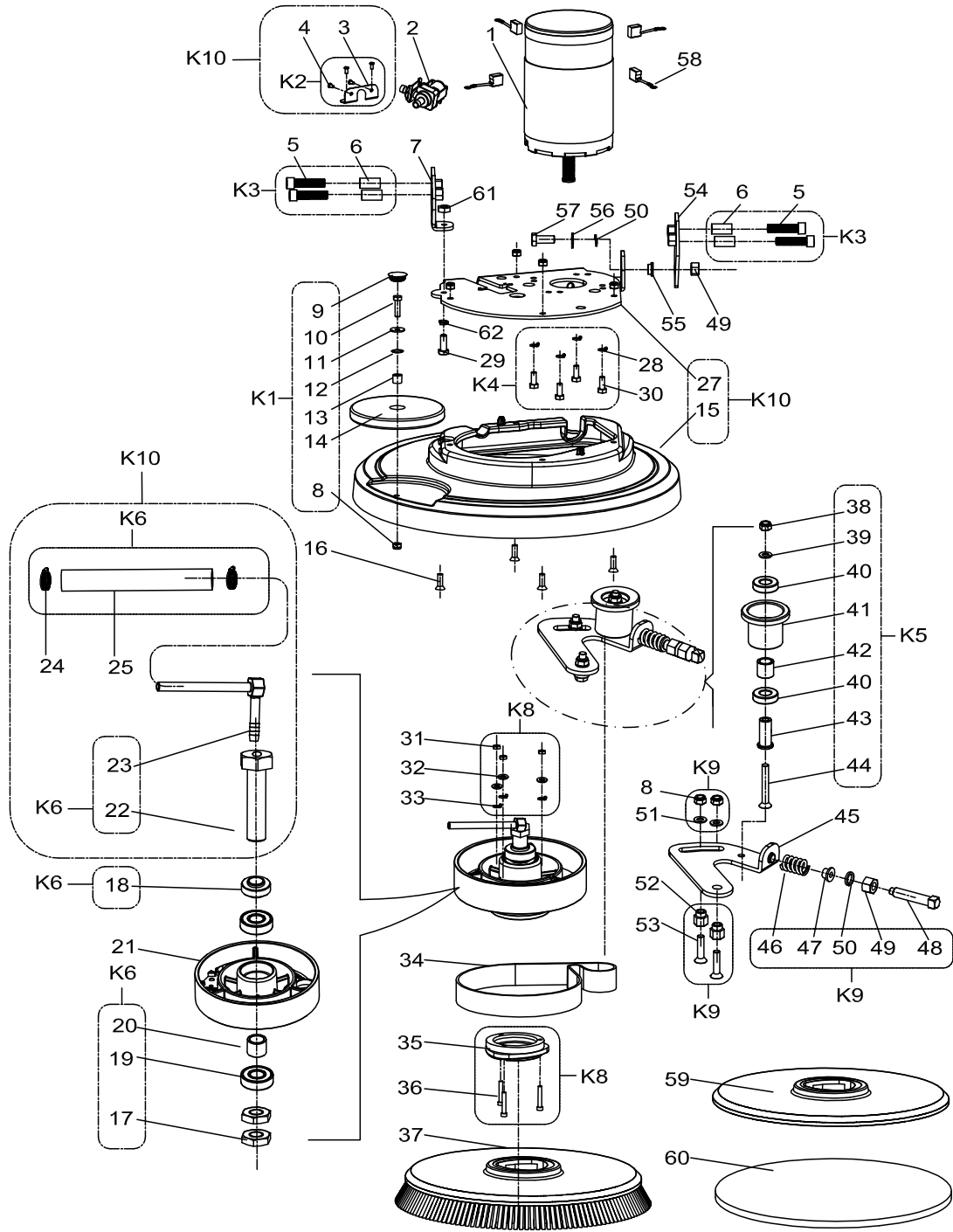


2020.06.10

# TABLE OF CONTENTS

---

Brush .....	1
Control panel .....	4
Squeegee .....	7
Tank .....	9
Wheels .....	12

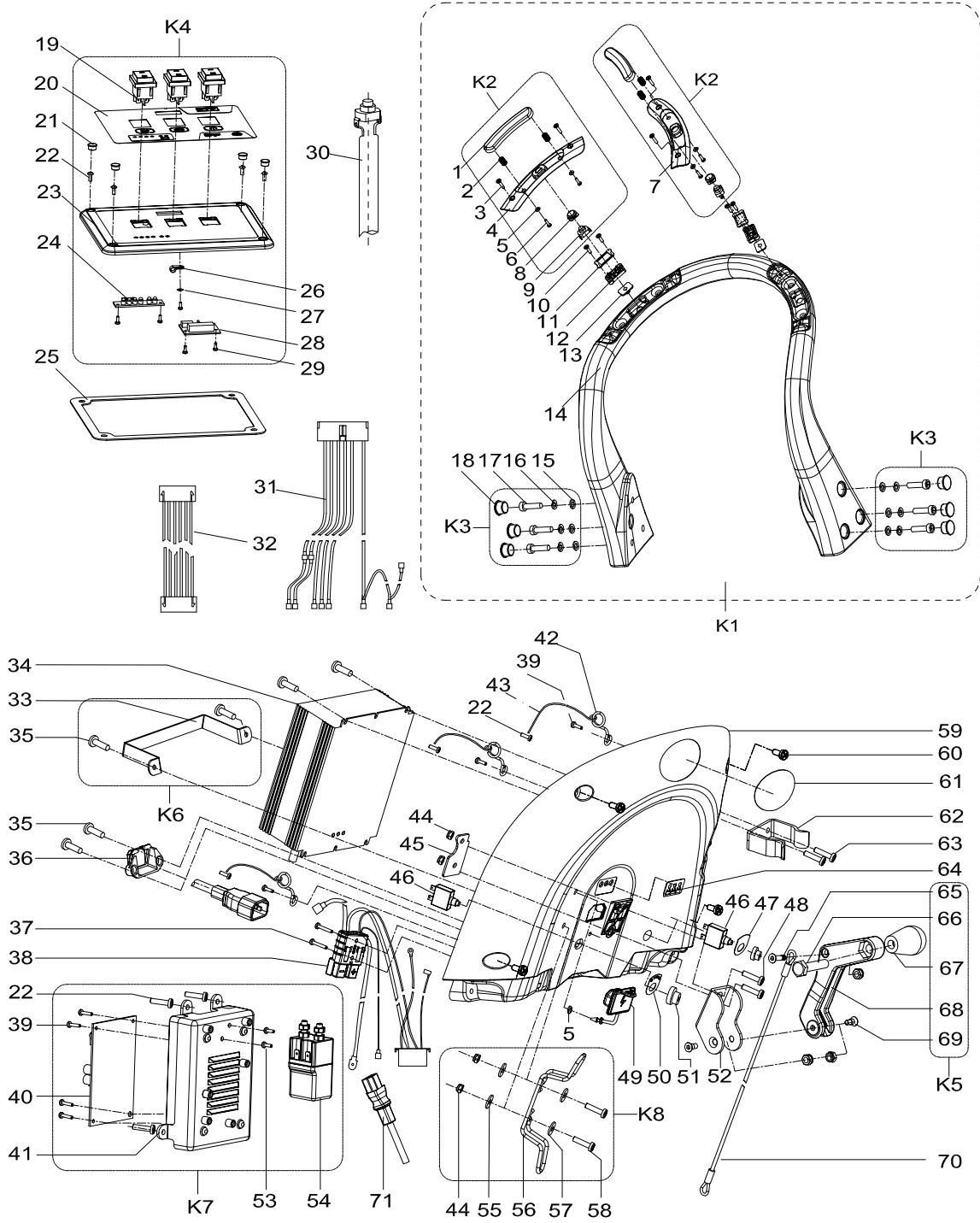


Pos.	Артикул	кол-во	Описание	Notes
1	VF90299	1	BRUSH MOTOR AS430-AS510 EU VERSION	[1]
2	VF90282	1	SOLENOID VALVE KIT	
3		1	SOLENOID VALVE BRACKET	
4		4	SCREW M4*10	
5		4	SCREW M12*50	
6		4	SPACER	
7	VF91022	1	COATING CONNECTING PLATE B	
8		8	LOCK NUT M8	
9		1	CAP. BLACK	
10		1	SCREW M8*30	
11		1	FLAT WASHER Ø24*Ø8*2	
12		1	WAVE WASHER Ø15	
13		1	SPACER Ø15*Ø13*9	
14	VF91053	1	ROLLER BUMPER	
15	VF91004	1	BRUSH DECK	
16		4	HEX SCREW M8*25	
17		2	NUT M20	
18		1	SPACER	
19	ZD45425	2	BEARING 6204 LU	
20		1	CLAMP SLEEVE	
21	VF91011	1	MACHINING PULLEY	
22	VF91058	1	DRIVEN PULLEY SHAFT	
23		1	EXHALENT SIPHON	
24		1	WIRE CLIP	
25		1	TUBE L70mm	
27	VF91013	1	COATING MOTOR FIXING PLATE	
28		5	SPRING WASHER Ø8	
29		1	SCREW M8*16	
30		4	SCREW M8*20	
31		3	NUT M6	
32		3	FLAT WASHER Ø12*Ø6.3*1.2	
33		3	SPRING WASHER Ø6	
34	VF90408	1	PULLEY BELT	
35		1	BUSH JOINT	
36		3	SCREW M6*35	
37	L08837025	1	BRUSH DISC 530MM 21 PROLENE BLUE	
38		1	NUT LOCK M8	
39		1	FLAT WASHER Ø20*Ø8*2	
40	VF999821A	2	BEARING 6002LU	
41	VF90445	1	TENSION WHEEL KIT	
42	VF80209	1	SMALL SPACER	
43	VF80214	1	BUSHING BEARING	
44		1	SCREW M8*55	
45	VF90427	1	ROD TENSION WHEEL	
46	VF80232	1	SPRING	
47		1	SPACER	
48		1	SCREW, M12*65	
49		2	NUT, M12	
50		2	SPRING WASHER Ø12	
51		2	WASHER Ø8.4*Ø18*2	
52		2	BUSHING TENSION WHEEL	
53		2	SCREW M8*30	
54	VF91023	1	COATING CONNECTING PLATE A	
55	VF90430	1	BRASS SPACER	
56		1	FLAT WASHER Ø24*Ø12*2	
57		1	SCREW M12*30	
58	VF91041	4	CARBON BRUSH	
59	9099671000	1	PAD HOLDER FLAT 20 508MM	
60*	10001961	1	PAD 21 533MM ECO BLACK5PCS	

Pos.	Артикул	кол-во	Описание	Notes
60*	10001962	1	PAD 21 533MM ECO BLUE 5PCS	
60*	10001963	1	PAD 21 533MM ECO BROWN 5PCS	
60*	10001964	1	PAD 21 533MM ECO GREEN 5PCS	
60*	10001965	1	PAD 21 533MM ECO RED 5PCS	
60*	10001966	1	PAD 21 533MM ECO WHITE 5PCS	
60*	10002352	1	PAD 21 533MM ECO BRILLIANCE RED 2PCS	
60*	10002354	1	PAD 21 533MM ECO BRILLIANCE YELLOW 2PCS	
60*	10002355	1	Пэд 21 533MM ECO BRILLIANCE зеленый 2ШТ	
61	VF14005	1	NUT M10 HEX	
62	VF13518	1	WASHER LOCK f10	
K1	VF85017	1	BUMPER ROLLER KIT	
K2	VF91104	1	SOLENOID VALVE BRACKET KIT	
K3	VF91084	1	CONNECTING PLATE SCREW KIT	
K4	VF91085	1	MOTOR SCREW KIT	
K5	VF90445	1	TENSION WHEEL KIT	
K6	VF91105	1	DRIVEN PULLEY KIT	
K7	VF91087	1	VIBRATION GASKET KIT	
K8	VF91088	1	BRUSH JOINT KIT	
K9	VF91089	1	HARDWARE KIT FOR TENSION WHEEL	
K10	VF91107	1	BRUSH SOLUTION FLOW IMPROVEMENT KIT	[2]

Part Notes:

- [1] - TSB 2017-002 AS430B brush motor improvement
- [2] - TSB-FC-2017-054 SC430 GO new solution flow  
DE TSB-FC-2017-054 SC430 GO neues Design der Frischwasserversorgung



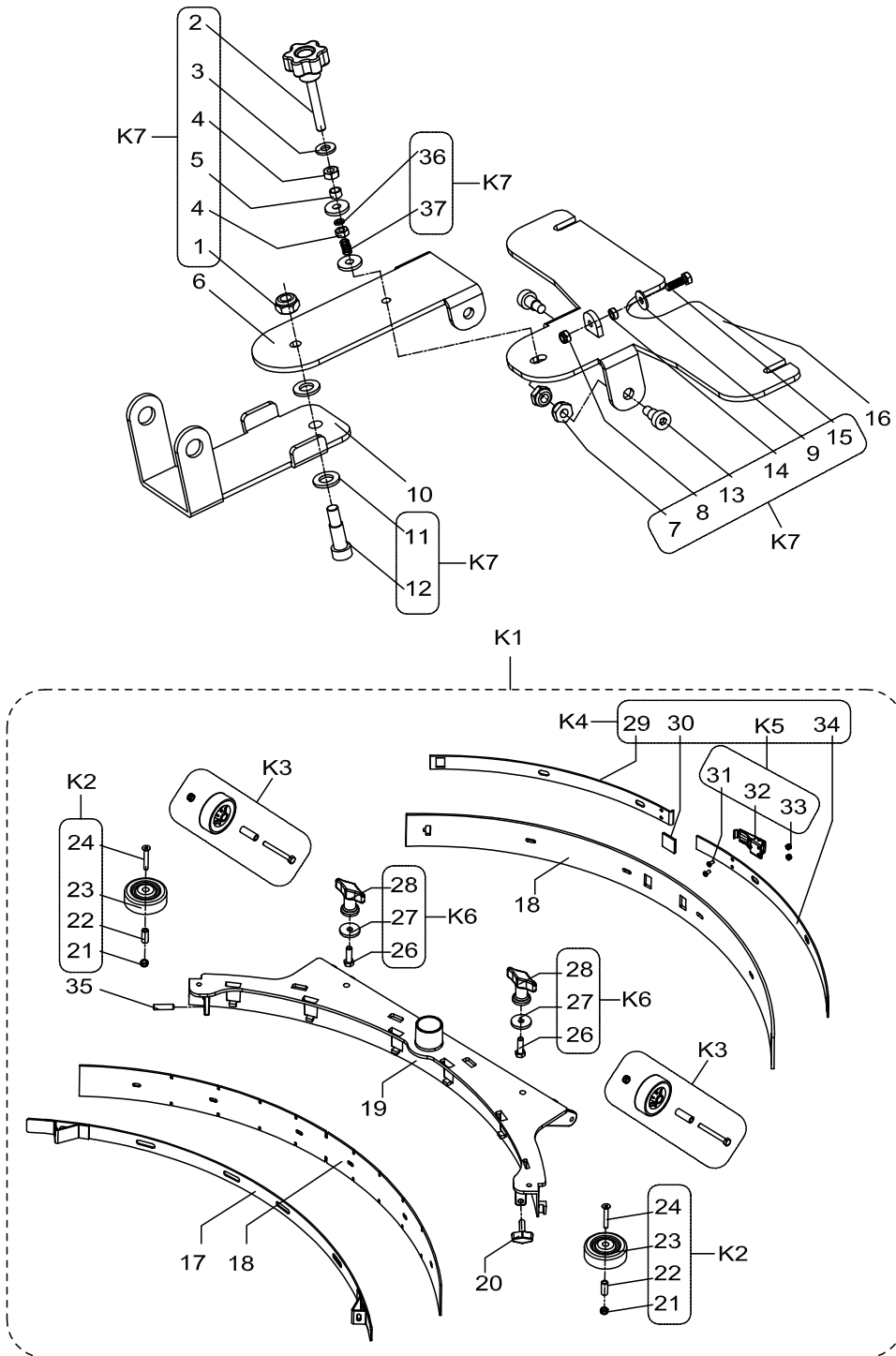
Pos.	Артикул	кол-во	Описание	Notes
1		2	BUTTON	
2		4	SPRING	
3		4	SCREW KT3.5* 15	
4		1	SAFETY COVER L	
5		5	FLAT WASHER Ø3.6**Ø8*0.5	
6		4	SCREW ST3* 12	
7		1	SAFETY COVER R	
8		2	SWITCH SEAL BUSHING	
9	VF90252	2	SWITCH	
10		4	SCREW KA3.5* 12	
11	VF90219	2	GASKET	
12	VF91021	2	SWITCH BASE	
13	VF90213	2	SWITCH SEAL RING	
14		1	HANDLE	
15		6	FLAT WASHER Ø 16* Ø 8* 1.5	
16		6	SPRING WASHER. Ø 8	
17		6	SCREW M8*30	
18	VF91009	6	HANDLE SCREW PLUG	
19	VA81940	3	WATERPROOF SWITCH	
20	VF91018	1	PANEL LABEL	
21		4	PANEL SCREW PLUG	
22		11	SCREW M4*10	
23	VF91008	1	CONTROL PANEL	
24	VF90238-2	1	LED INDICATOR BATTERY LEVEL	
25	VF91019	1	EVA GASKET	
26		1	CABLE CLAMP Ø6.4	
27		1	FLAT WASHER Ø9* Ø 4.2* 0.8	
28	VF90287	1	HOUR METER	
29		5	SCREW PA3.0* 8	
30	VF91032	1	SAFETY SWITCH KIT	
31	VF91033	1	CABLE KIT	
32	VF90238-3	1	CONTROL PANEL CONNENTER CABLE	
33		1	CHARGER FIX BRACKET	
34	VF90297	1	CHARGER	
35		6	SCREW ST4*16	
36	VF90211	1	PLUG FIX	
37		2	SCREW ST3.5*18	
38	VF90249-1	1	20INCH MAIN WIRE HARNESS	[1]
39		7	SCREW ST3.5*9.5	
40	VF90238-1	1	PCB 17INCH CONTROL PANEL	[2]
41	VF90209	1	PCB HOUSING	
42	VF90237	3	NYLON CABLE HOOK	
43	VF90614	3	NYLON CABLE	
44		7	LOCK NUT M5	
45	VF90259	1	HANDLE FIX PANEL	
46	ZD48320	2	CIRCUIT BREAKER 30A	[1]
47	VF90020	1	LABEL VACUUM CIRCUIT	
48		2	SCREW M5* 25	
49	VF90215	1	POWER SAFETY COVER	
50	VF90019	1	LABEL BRUSH CIRCUIT	
51	VF89076	2	WATER-PROOF CAP CIRCUIT BREAKER	
52	VF90116	1	HAND BRACKET	
53		2	SCREW STM4X8	
54	VF90230	1	RELAY 24V DC	
55		2	FLAT WASHER Ø12* Ø 5*1	
56		1	CABLE SUPPORT	
57		2	FLAT WASHER Ø1 6*Ø6.2*1	
58		2	SCREW M5* 16	
59	VF90815A	1	COVER CONTROL HOUSING	

Pos.	Артикул	кол-во	Описание	Notes
60		4	SCREW M5* 12	
61		1	SERIAL NUMBER LABEL	
62	VF90407	1	CLAMP DRAIN HOSE METAL	
53		2	SCREW ST3.5*16	
64	VF90004	1	LABEL BATTERY LEVEL	
65	VF90129	1	SCREW M5X20	
66		1	SCREW M10* 45	
67	VF91024	1	KNOB	
68	VF91015	1	SANDBLASTING LIFTING ROD	
69	VF90128	2	SCREW M5	
70	VF90114	1	CABLE SQUEEGEE LIFT	
71	VF89725	1	CHARGER POWER CABLE EU PLUG	
71	VF89726	1	CHARGER POWER CABLE UK PLUG	
K1	VF91075	1	HANDLE KIT	
K2	VF91076	1	SAFETY COVER KIT	
K3	VF91077	1	HARDWARE KIT FOR HANDLE	
K4	VF91078	1	CONTROL PANEL KIT	
K5	VF91079	1	LIFTING ROD KIT	
K6	VF91080	1	BRACKET KIT	
K7	VF91081	1	ELECTRIC BOX KIT	[3]
K8	VF91082	1	CABLE SUPPORT KIT	

## Part Notes:

- [1] - TSB-FC-2019-025 brush circuit breaker  
DE TSB-FC-2019-025 SC430 Bürstenmotor Motorschutzschalter
- [2] - TSB-FC-2019-032 Modified PCBA
- [3] - TSB-FC-2017-049 SC430 GO spare part board  
DE TSB-FC-2017-049 SC430 GO neue Platine

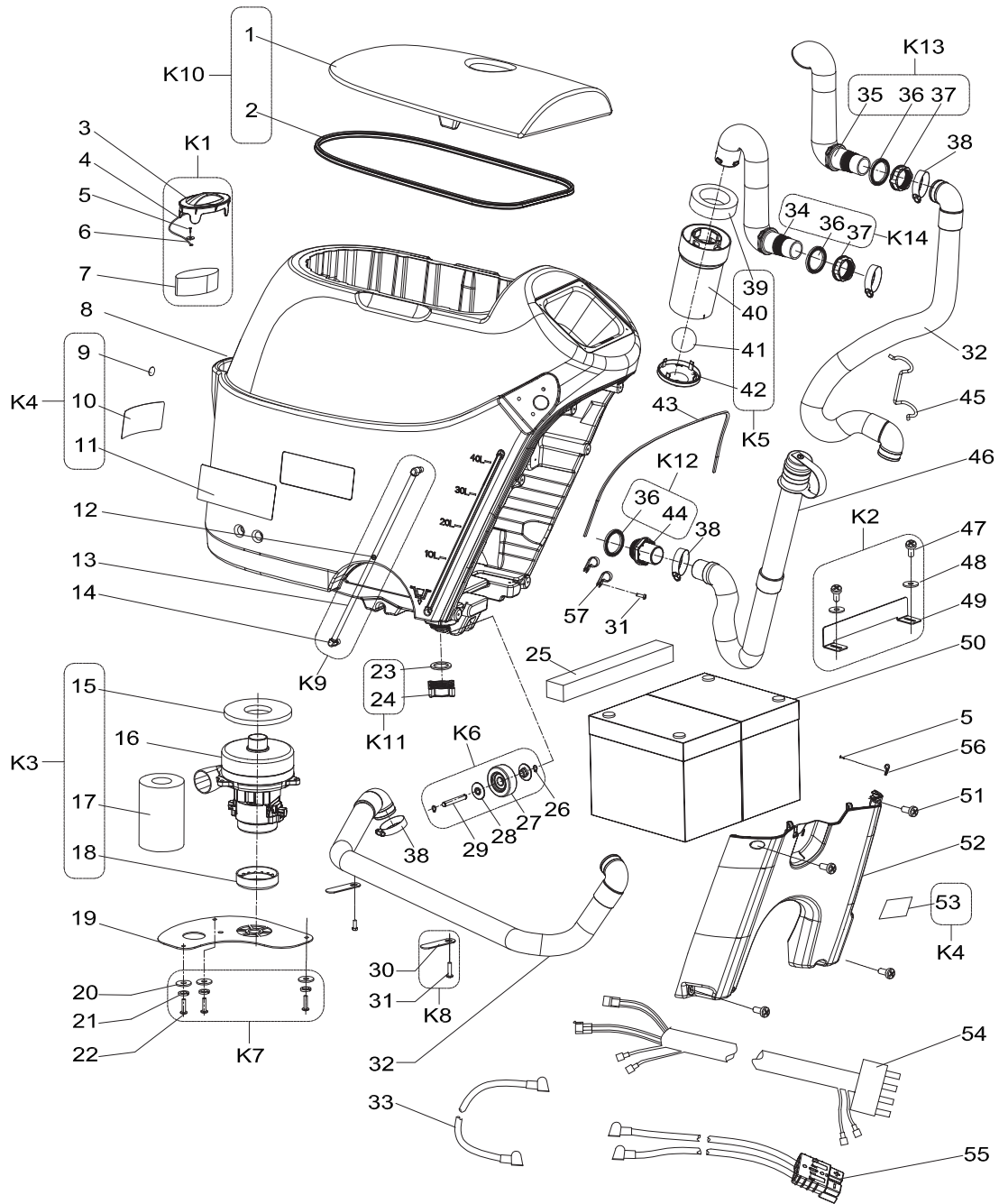




Pos.	Артикул	кол-во	Описание	Notes
1		1	LOCK NUT M10	
2	VF85104	1	HANDWHEEL M8X55	
3		3	FLAT WASHER Ø18*Ø8.4*2	
4		3	NUT M8	
5		1	SPACER	
6	VF90110	1	BACK-SQUEEGEE-SUPPORT	
7		2	LOCK NUT M8	
8		1	NUT M6	
9		1	FLAT WASHER Ø16*Ø6.2*2	
10	VF90111	1	FRONT-SQUEEGEE-SUPPORT	
11		2	NYLON WASHER Ø24*Ø13*2.5	
12		1	SCREW SHOULDER	
13		2	SCREW SHOULDER M8	
14		1	SPACER	
15		1	SCREW M6*20	
16	VF91012	1	COATING SQUEEGEE CONNECTOR PLATE	
17	VF85311	1	SQUEEGEE FRONT STRAP	[1]
18*	9100000279	1	BLADES SQUEE. 740MM 29 GUM RUBBER KIT	
18*	909 6858 000	1	BLADES SQUEEGEE 740MM 29 PU KIT	
19	909 6044 000	1	SQUEEGEE 740MM 29 ALU	
20	9100000791	1	KNOB M8X30 THD STUD SS SIP	
21		2	LOCK SELF L.M6 UNI7474 SS	
22		2	SPACER Ø6.3XØ9.5X21	
23		2	ROLLER BUMPER	
24		2	SCREW M6X40 UNI5933	
26		2	SCREW HEX THD 5/16X1-1/4 UNC	
27		2	WASHER.RUBBER	
28		2	NUT THUMB SQUEEGEE FIXING	
29		1	STRAP.SQUEEGEE LEFT REAR	
30		1	SPACER.RUBBER	
31		2	SCREW M4X10 UNI7687 SS	
32		1	LATCH SQUEEGEE	
33		2	SCREW M6X55 UNI5739 SS	
34		1	STRAP.SQUEEGEE RIGHT REAR	
35	909 6600 000	1	SCREW GRUB M8X30 CUP POINT SS ISO4029	
36		1	SPRING WASHER Ø8	
37		1	SPRING	
K1	909 6851 000	1	SQUEEGEE 740MM 29 ALU KIT	
K2	909 6884 000	1	ROLLER BUMPER SQUEEG.KIT	
K3	909 6883 000	1	WHEELS SQUEEGEE 60X20MM KIT 2pcs	
K4	909 6882 000	1	BLADES SQUEEGEE 740MM 29 FIXING KIT	
K5	909 6394 000	1	LATCH SQUEEGEE KIT	
K6	9097637000	1	SQUEEGEE FIXING KIT	
K7	VF91093	1	HARDWARE SQUEEGEE SUPPORT KIT	

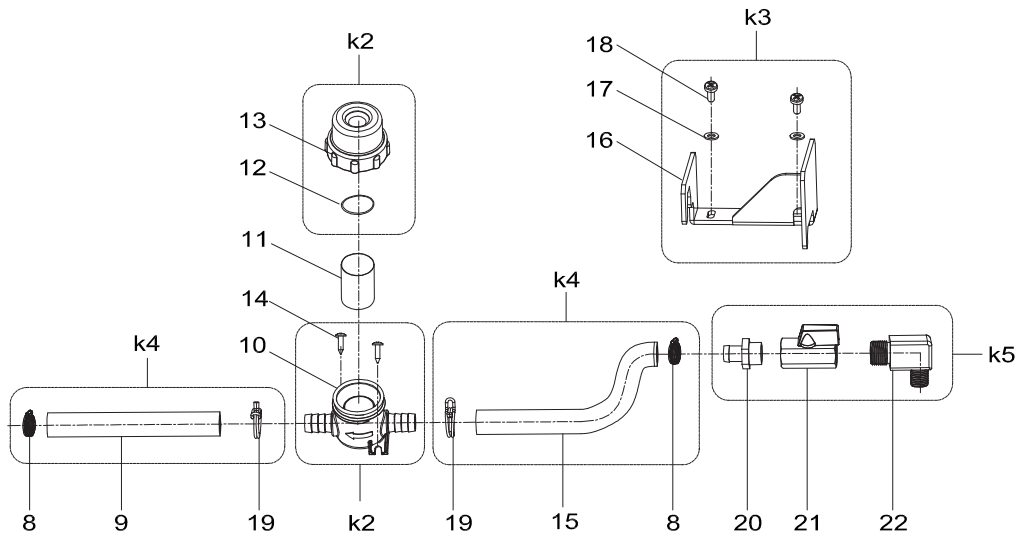
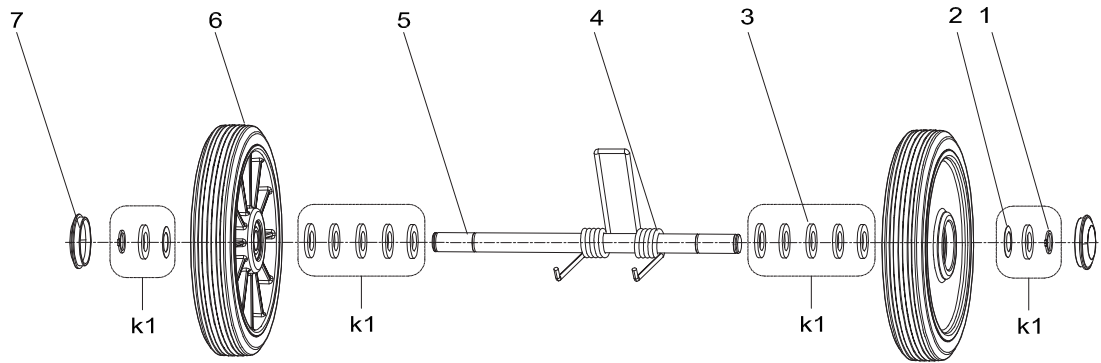
## Part Notes:

[1] - EXPIRED USE 909 6055 000



Pos.	Артикул	кол-во	Описание	Notes
1		1	TOP LID	
2	VF91020	1	SEALING GASKET	
3		1	WATER INLET LI D	
4		1	INLET STRAF	
5		3	SCREW TA3.5* 12	
6		2	FLAT WASHER Ø 9 *Ø 4.2* 0.8	
7	VF91042	1	FILTER SPONGE	
8	VF91000	1	TANK	
9		1	DECAL WATER FAUCET	
10		1	FRONT LABEL	
11		2	SIDE LABEL	
12		1	FLOATING BALL OF WATER LEVEL	
13		1	INSPECTION TUBE	
14		2	ELBOW 90"	
15		1	GASKET	
16	VF90520EU	1	VACUUM MOTOR	
17		1	ACOUSTIC INSULATION SLEEVE	
18		1	TOP GASKET OF SUCTION MOTOR	
19	VF91016	1	COATING VACUUM MOTOR SUPPORT	
20		3	FLAT WASHER Ø6*Ø18*1.5	
21		3	SPRING WASHER.LOCK.Ø5	
22		3	SCREW M5*15	
23		1	OUTLET O-RING	
24		1	OUTLET COVER	
25	VF90533	1	BATTERY SPACER PANEL	
26		2	RING D 17	
27	VF90306	1	2.5 WHEEL	
28		2	205"HUB CAP	
29		1	WHEEL SHAFT	
30		2	RETAINER PLATE	
31		3	SCREW M4*10	
32	VF90508	2	SUCTION HOSE	
33	VF90246	1	BATTERY CABLE	
34		1	SUCTION PIPE	
35		1	DRAIN HOSE	
36		3	SUCTION PIPE GASKET	
37		2	CLAMP NUT	
38	VA20304	4	CLAMP	
39		1	FLOAT SPONGE	
40		1	FLOAT BRACKET	
41	30010021	1	FLOATING BALL	
42		1	FLOAT BRACKET COVER	
43	VF90218	1	CONTROL SEAL GASKET	
44		1	DRAIN HOSE CONNECTER	
45	VF83150	1	Держатель стяжки	
46	VF90443	1	DRAIN HOSE-38	
47		2	SCREW M4*10	
48		2	FLAT WASHER Ø4	
49	VF90514	1	BATTERY BRACKET	
50		2	BATTERY 12V 105Ah/20h AMG	
51		4	SCREW M5*12	
52	VF90814A	1	BATTERY COVER BLACK	
53		1	WARNING LABEL	
54	VF90254	1	WIRE HARNESS MOTOR	
55	VF90247	1	POWER CABLE	
56	VF85102	2	SMALL CLAMP	
57	VF85141	1	BIG CLAMP	
K1	VF91065	1	TANK FILTER KIT	
K2	VF91066	1	BATTERY BRACKET KIT	

<b>Pos.</b>	<b>Артикул</b>	<b>кол-во</b>	<b>Описание</b>	<b>Notes</b>
K3	VF91067	1	GASKET KIT	
K4	VF91068	1	DECAL NILFISK KIT	
K5	VF90534	1	FLOAT KIT	
K6	VF90312	1	2.5 WHEEL KIT	
K7	VF91069	1	HARDWARE KIT FOR SUCTION PUMP	
K8	VF91070	1	RETAINER PLATE	
K9	VF91071	1	TUBE KIT	
K10	VF91072	1	TOP LID KIT	
K11	VF91073	1	OUTLET COVER KIT	
K12	VF91074	1	CONNECTER KIT	
K13	VF90539	1	DISCHARGE SEWAGE HOSE KIT	
K14	VF90538	1	SUCTION TUBE CONNECTER KIT	



Pos.	Артикул	кол-во	Описание	Notes
1	VF14552	2	RING D 17	
2		2	WAVE WASHER, Ø17.2*22.2*0.4	
3		12	WASHERØ30* Ø7* 3	
4	VF91014	1	SQUEEGEE SPRING	
5	VF90304	1	WHEEL SHAFT	
6	VF91003	2	MAIN WHEEL	
7	VF89203	2	HUB CAP	
8		2	WIRE CLIP	
9		1	TUBE L260mm	
10		1	FILTER BASE	
11	VF90608	1	FILTER NET	
12		1	O-RING	
13		1	FILTER COVER	
14		2	SCREW PT4*12	
15		1	TUBE L160mm	
16		1	SOLENOID VALVE BRACKET	
17		2	WASHER Ø4* Ø12.5*1.5	
18		2	SCREW M4*10	
19		2	METAL CLIP	
20		1	CONNECTOR	
21		1	BALL VALVE	
22		1	ELBOW90° BRASS	
K1	VF91060	1	WASHER KIT	
K2	VF91061	1	FILTER KIT	
K3	VF91062	1	BRACKET KIT	
K4	VF91063	1	TUBE KIT	
K5	VF91064	1	BALL VALVE KIT	

