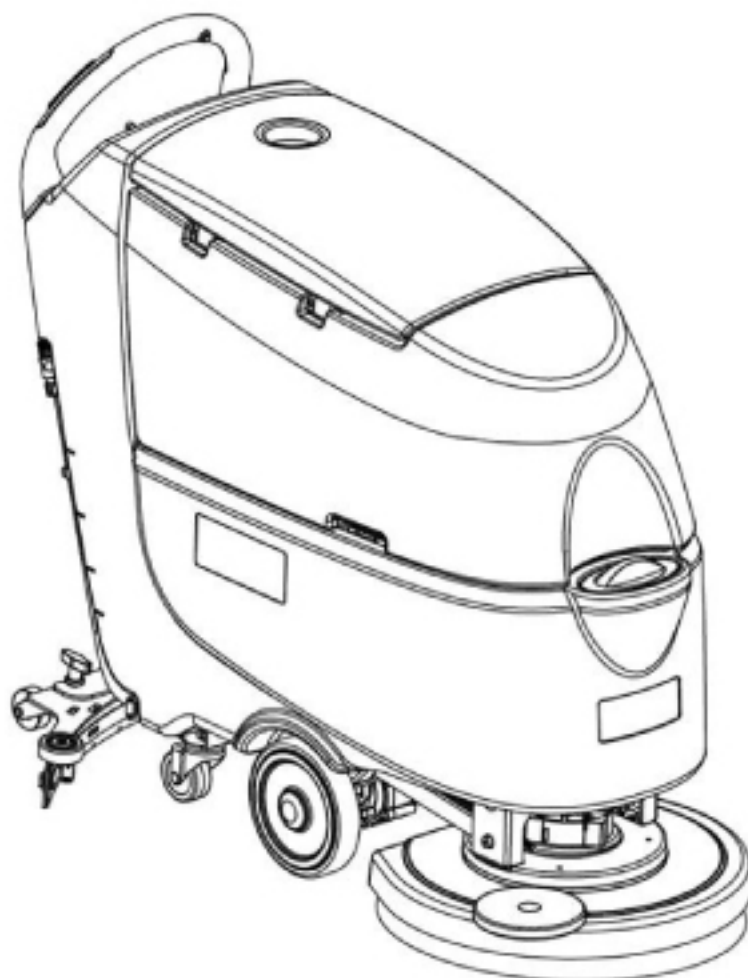


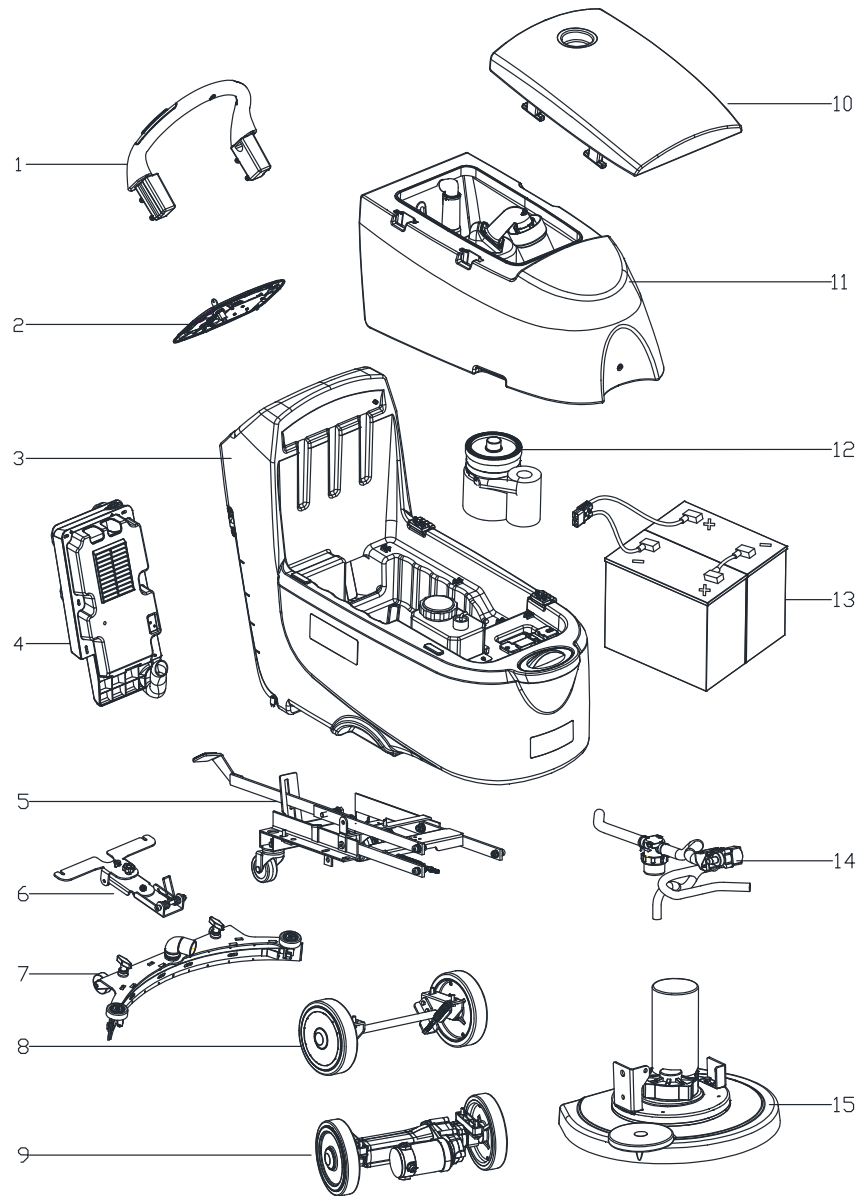
PARTS LIST



2020.05.04

TABLE OF CONTENTS

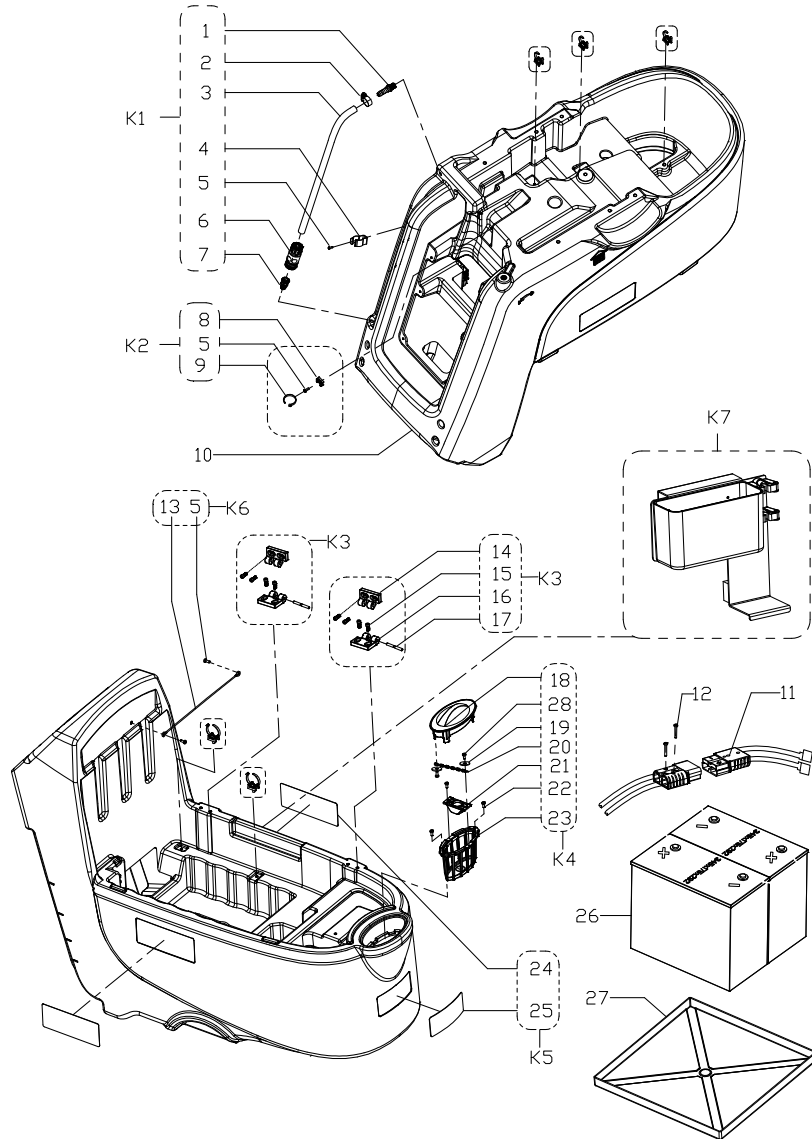
Overview	1
Solution tank	3
Recovery tank	5
Control and Electric system	7
Chassis	10
Wheel with traction	12
Solution system	14
Squeegee	16
Brush	18
Chemical mixing	20
Wiring diagram (with traction)	22



Pos.	Артикул	кол-во	Описание	Notes
1A		1	HANDLE BAR ASSEMBLY WITHOUT TRACTION	[1]
1B		1	HANDLE BAR ASSEMBLY WITH TRACTION	[1]
2		1	CONTROL PANEL ASSEMBLY	[2]
3		1	SOLUTION TANK ASSEMBLY	[3]
4		1	CONTROL BOX ASSEMBLY	[2]
5		1	CHASSIS ASSEMBLY	[4]
6		1	SQUEEGEE HOLDER ASSEMBLY	[5]
7		1	SQUEEGEE ASSEMBLY	[5]
8A		1	WHEEL ASSEMBY WITHOUT TRACTION	[6]
9B		1	WHEEL ASSEMBY WITH TRACTION	[7]
10		1	RECOVERY TANK LID ASSEMBLY	[8]
11		1	RECOVERY TANK ASSEMBLY	[8]
12		1	VACUUM MOTOR ASSEMBLY	[8]
13		1	BATTERIES	[3]
14		1	SOLUTION SYSTEM ASSEMBLY	[9]
15		1	BRUSH DECK ASSEMBLY	[10]

Part Notes:

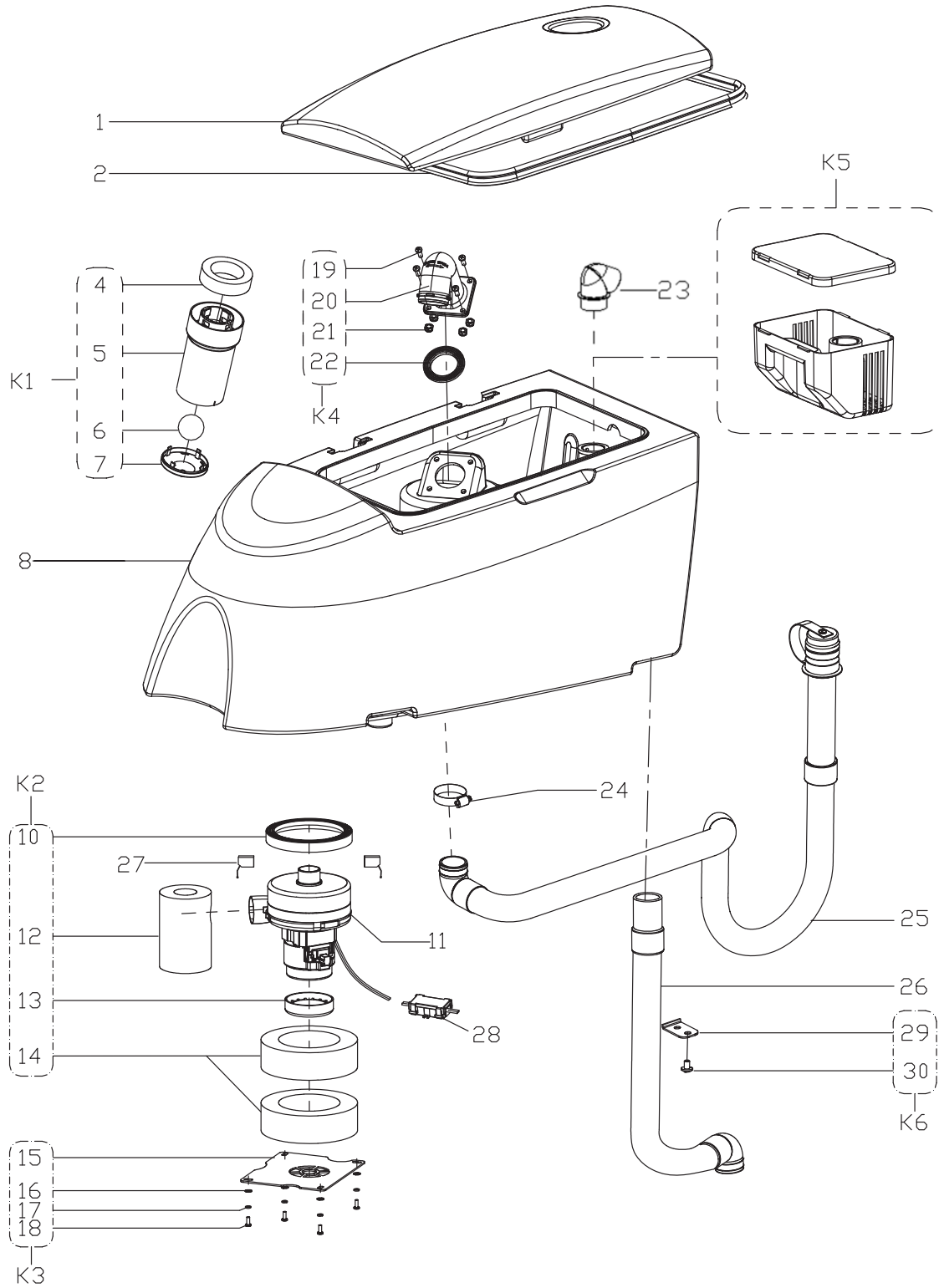
- [1] - Control and Electric system
- [2] - Control and Electric systemwith traction
Control and Electric systemwithout traction
- [3] - Solution tank
- [4] - Chassis
- [5] - Squeegee
- [6] - Wheel without traction
- [7] - Wheel with traction
- [8] - Recovery tank
- [9] - Solution system
- [10] - Brush



Pos.	Артикул	кол-во	Описание	Notes
1		1	K1	
2		1	K1	
3		1	K1	
4		1	K1	
5		4	K1/K2/K6	
6	VS13603	1	GARDEN COUPLING	
7		1	K1	
8		1	K2	
9		1	K2	
10	VS13301	1	SOLUTION TANK	
11	VS10206	1	BATTERY CONNECTIONS	
12		2	SCREW TM4X45	
13	VF85435	1	RECOVERY TANK CABLE	
14		2	K3	
15		8	K3	
16		2	K3	
17		2	K3	
18	VS10312A	1	FILTER COVER	
19		2	K4	
20		1	K4	
21		1	K4	
22		2	K4	
23	VS10313	1	FILTER SUPPORT	
24		2	K5	
25		1	K5	
26		2	BATTERIES	
27	VS10329	1	TRAY BATTERY	
28		3	K4	
K1	VS13701	1	WATER LEVEL PIPE KIT	
K2	VS13702	4	WIRE CLASPS KIT	
K3	VS13703	1	HINGE KIT	
K4	VS13704	1	FILTER COVER KIT	
K5	VS13705	1	DECAL SC530 NILFISK KIT	
K6	VF85007	1	TANK CABLE KIT	
K7	9100002280	1	MOP AND TRASH KIT	[1]

Part Notes:

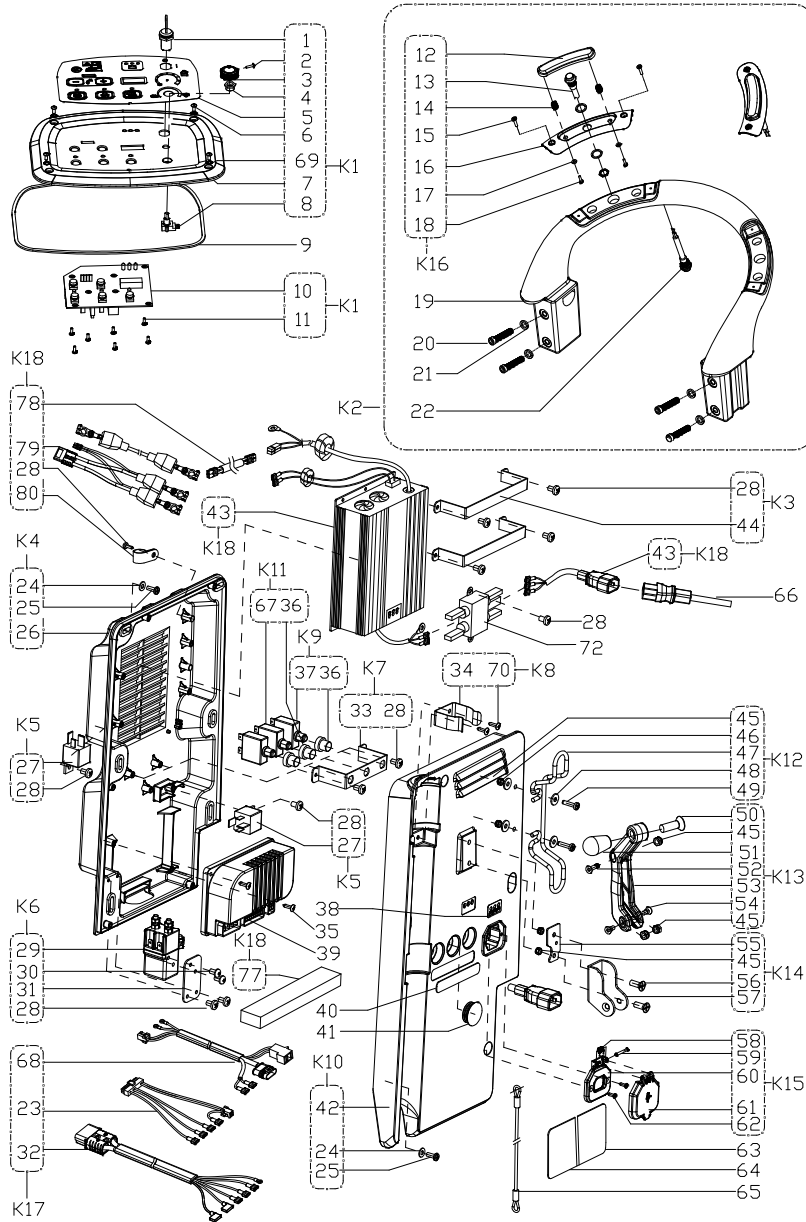
[1] - Optional



Pos.	Артикул	кол-во	Описание	Notes
1	VS13303	1	RECOVERY TANK LID	
2	VS13607	1	GASKET	
4		1	K1	[1]
5		1	K1	[1]
6	30010021	1	FLOATING BALL	[1]
7		1	K1	[1]
8	VS13304	1	RECOVERY TANK	
10		1	K2	
11	VF90520	1	VACUUM MOTOR	
12		1	K2	
13		1	K2	
14		2	K2	
15		1	K3	
16		4	K3	
17		4	K3	
18		5	K3	
19		4	K4	
20		1	K4	
21		4	K4	
22		1	K4	
23	VS13316	1	BEND TUBE	
24	VA20304	1	CLAMP	
25	VS13602	1	DRAIN HOSE	
26	VS10601	1	SUCTION HOSE	
27	VF90522	2	CARBON BRUSH FOR VACUUM MOTOR	
28	VR27100	1	WATERPROOF CASE	
29		1	K6	
30		1	K6	
K1	VF90534	1	FLOAT KIT	
K2	VS10112	1	GASKET VACUUM MOTOR KIT	
K3	VS10113	1	VACUUM MOTOR COVER KIT	
K4	VS13720	1	ELBOW ADAPTOR KIT	
K5	9100000795	1	TRAY DEBRIS KIT	[2]
K6	VS13794	1	HOSE CLAMP KIT	

Part Notes:

- [1] - K1
 [2] - Optional

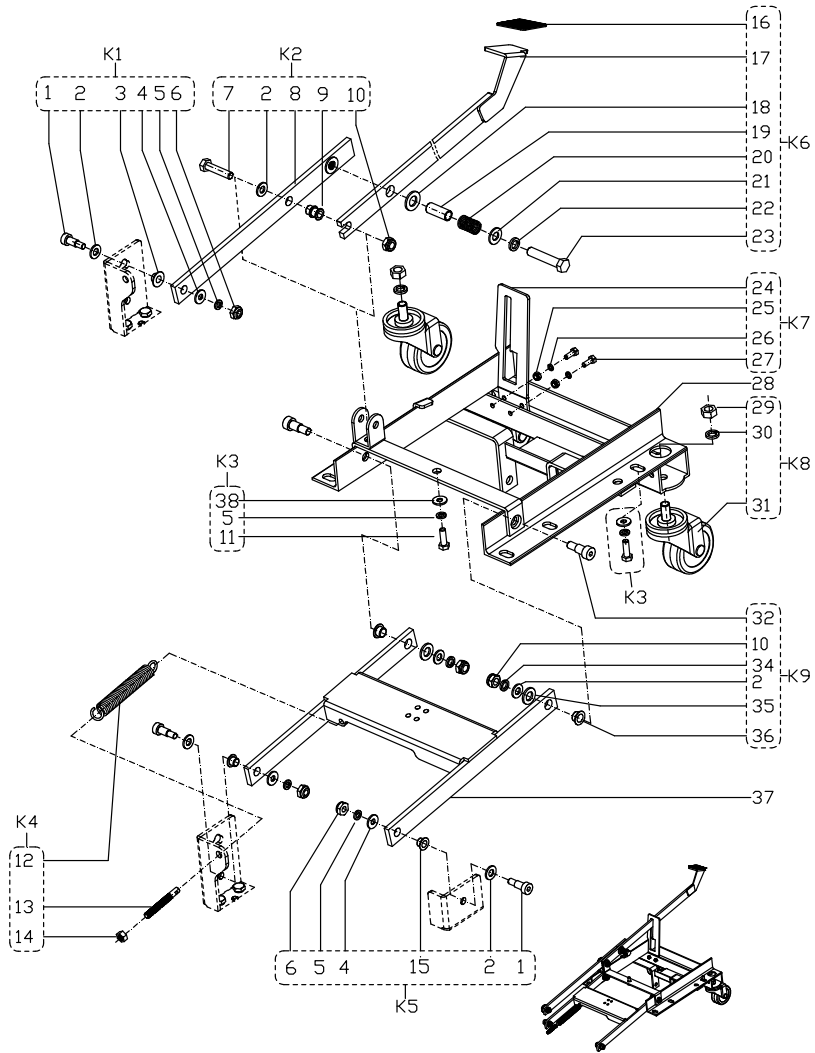


Pos.	Артикул	кол-во	Описание	Notes
1	9100001354	1	SWITCH IGNITION STARTER WITH CAP SIP	
2		1	K1	[1]
3	VS10315	1	AJUST SPEED KNOB	[1]
4		1	K1	[1]
5	VS13001	1	CONTROL PANEL DECAL WITH TRACTION	[1]
6		4	K1	
7	VS13305	1	CONTROL PANEL	
8	VS10213	1	POTENTIOMETER	[1]
9	VS13604	1	EVA GASKET	
10	VS13201	1	CONTROL PANEL BOARD	
11		7	K1	
12		1	K16	
13	VS10202	1	SWITCH	[2]
14		2	K16	
15		2	K16	
16		1	K16	
17		2	K16	
18		2	K16	
19	VS13309	1	HANDLEBAR WITH TRACTION	[1]
20		4	K2	
21		4	K2	
22	VS10202	1	SWITCH	[3]
23	VS10208	1	HARNESS CONTROL CIRCUIT WITH TRACTION	[1]
24		10	K4/K10	
25		10	K4/K10	
26		1	K4	
27	VS10201	1	RELAY 24V	
28		8	K3//K6K7	
29	909 5127 000	1	SWITCH ELECTROMAGNETIC 24V D	
30		2	K6	
31		1	K6	
32	VS13202	1	WIRE HARNESS WITH TRACTION	[1]
33		1	K7	
34		1	K8	
35		4	K8	
36		1	K9	
37	ZD48320	1	CIRCUIT BREAKER 30A	[4]
38		1	LABEL BATTERY LEVEL	
39	VS10209	1	ELECTRONIC BOARD TRACTION SYSTEM	[1]
40		1	RESET LABEL WITH TRACTION	[1]
41		1	CAP BLACK	
42		1	K10	
43	VS10264	1	24V 13A CHARGER KIT WITH MAGNET RING AGM	[5]
44		2	K3	
45		5	K12/K13/K14	
46		2	K12	
47		1	K12	
48		2	K12	
49		2	K12	
50		1	K13	
51		1	K13	
52		1	K13	
53		1	K13	
54		2	K13	
55		1	K14	
56		2	K14	
57		1	K14	
58		1	K15	
59		1	K15	

Pos.	Артикул	кол-во	Описание	Notes
60		1	K15	
61		1	K15	
62		2	K15	
63		1	WARNING LABEL	
64		1	SERIAL NUMBER LABEL	[1]
65	VS13503	1	CABLE SQUEEGEE LIFT	
66	VF89725	1	CHARGER POWER CABLE EU PLUG	[6]
66	VF89726	1	CHARGER POWER CABLE UK PLUG	[6]
67	VF99012	1	CIRCUIT BREAKER 12 AMP	[1]
68		1	K17	
69		4	K1	
70		2	K8	
72	VS13220	1	ELECTRONIC FILTER	
77		1	K18	
78		1	K18	
79		1	K18	
80		1	K18	
K1	VS13714	1	CONTROL PANEL KIT WITH TRACTION	[1]
K2	VS13715	1	HANDLE KIT WITH TRACTION	[1]
K3	VS10125	1	CHARGER FIX BRACKET KIT	
K4	VS10121	1	CONTROL BOX BOTTOM KIT	
K5	VS10230	2	RELAY 24V KIT	[1]
K6	VS10231	1	ELECTROMAGNETIC SWITCH KIT	
K7	VS10122	1	FIX BRACKET KIT	
K8	VF90275	1	CLAMP DRAIN HOSE KIT	
K9	VS10232	2	CIRCUIT BREAKER KIT	
K10	VS13719	1	CONTROL BOX COVER KIT	
K11	VS11201	1	CIRCUIT BREAKER KIT WITH TRACTION	[1]
K12	VF90280	1	CORD WRAP KIT	
K13	VS13718	1	LEVER SQUEEGEE LIFTING KIT	
K14	VF90276	1	HAND BRACKET KIT	
K15	VS10126	1	CHARGER SOKET KIT	
K16	VS13708	2	SWITCH HANDLE ASSY	
K17	VS13722	1	WIRE HARNESS KIT WITH TRACTION	[1]
K18	VS10267	1	24V 13A CHARGER KIT AGM WITH HARNESS	

Part Notes:

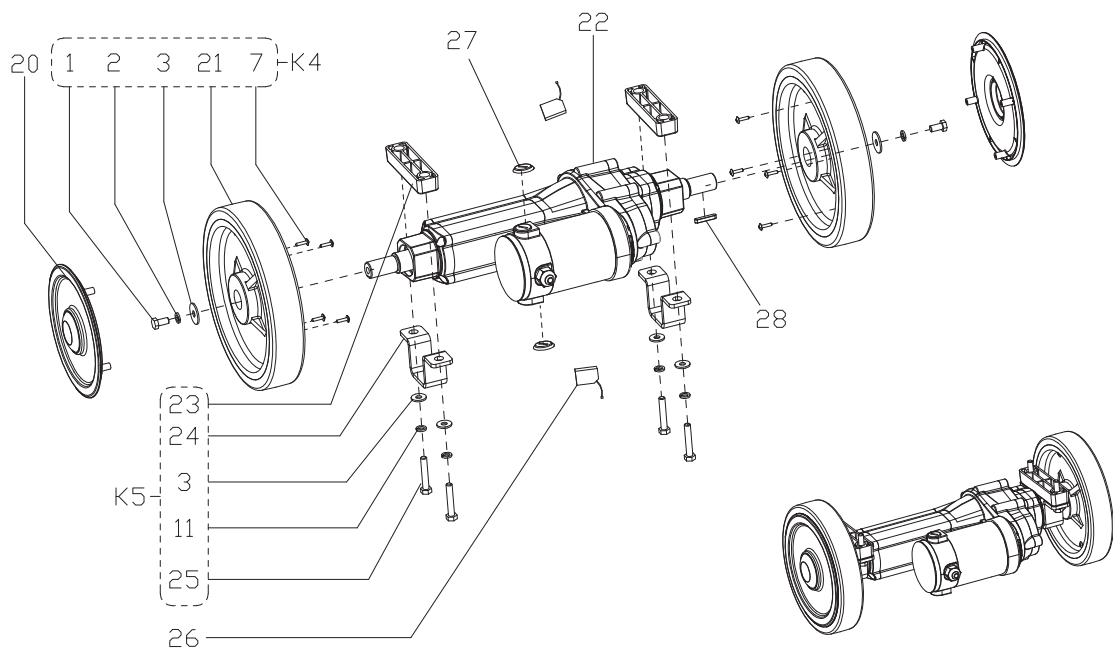
- [1] - ONLY FOR MACHINE WITH TRACTION
- [2] - TSB-FC-2019-038 drive switch SC530
- [3] - ONLY FOR MACHINE WITH TRACTION
- TSB-FC-2019-038 drive switch SC530
DE TSB-FC-2019-038 SC530 Fahrschalter
- [4] - TSB-FC-2019-025 brush circuit breaker
- [5] - TSB-FC-2017-066 SC530 onboardcharger
DE TSB-FC-2017-066 SC530 Integriertes Ladegerät
- [6] - Optional



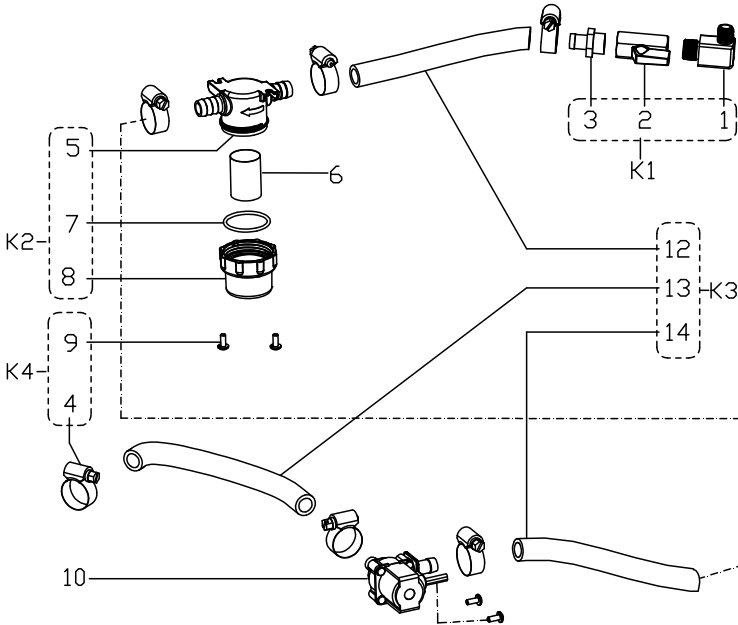
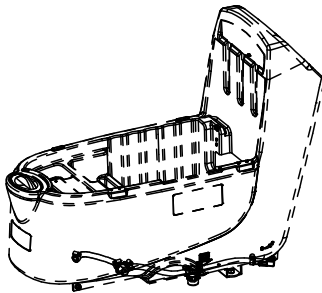
Pos.	Артикул	кол-во	Описание	Notes
1		3	K1/K5	
2		4	K1/K2/K5/K9	
3		1	K1	
4		3	K1/ K5	
5		5	K1/K3/K5	
6		2	K1/K5	
7		1	K2	
8		1	K2	
9		1	K2	
10		2	K2/K9	
11		3	K3	
12		1	K4	
13		1	K4	
14		1	K4	
15		1	K5	
16		1	K6	
17		1	K6	
18		1	K6	
19		1	K6	
20		1	K6	
21		1	K6	
22		1	K6	
23		1	K6	
24		1	K7	
25		2	K7	
26		2	K7	
27		2	K7	
28	VS10406	1	CHASSIS	
29		1	K8	
30		1	K8	
31	VS13623	1	3 INCH CASTER	[1]
32		1	K9	
34		1	K9	
35		1	K9	
36		1	K9	
37	VS10404	1	BRUSH LIFTING SUPPORT	
38		3	K3	
K1	VS10134	1	SCREW KIT 1	
K2	VS10138	1	FORNT PEDAL BRUSH LIFTING KIT	
K3	VS10135	1	SCREW KIT 2	
K4	VS10139	1	SPRING KIT	
K5	VS10136	2	SCREW KIT 3	
K6	VS10140	1	BACK PEDAL BRUSH LIFTING KIT	
K7	VS10141	1	PEDAL SUPPORT KIT	
K8	VS13757	2	3 INCH CASTER KIT	
K9	VS10137	2	SCREW KIT 4	

Part Notes:

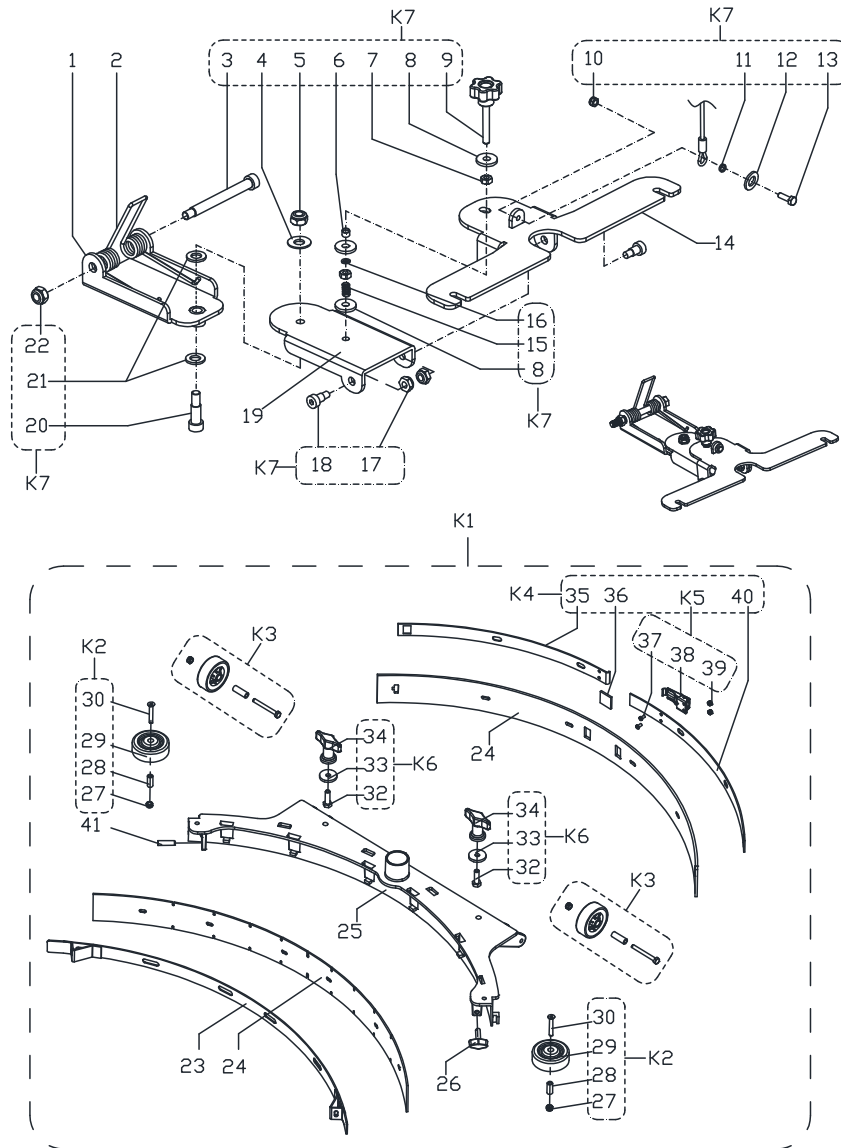
- [1] - TSB-FC-2019-026 castor wheel SC530
DE TSB-FC-2019-026 SC530 Lenkrolle



Pos.	Артикул	кол-во	Описание	Notes
1		2	K4	
2		2	K4	
3		8	K4/K5	
7		8	K4	
11		6	K5	
20	VS13314	2	WHEEL COVER	
21		2	K4	
22	VS11702	1	MOTOR TRACTION	
23		1	K5	
24		1	K5	
25		2	K5	
26	VS11703	2	CARBON BRUSH KIT	
27	VS11707	2	CARBON BRUSH COVER PLASTIC	
28	VS11706	1	KEY	
K4	VS13710	2	8 INCH WHEEL WITH TRACTION KIT	
K5	VS10147	2	TRACTION MOUNT KIT	



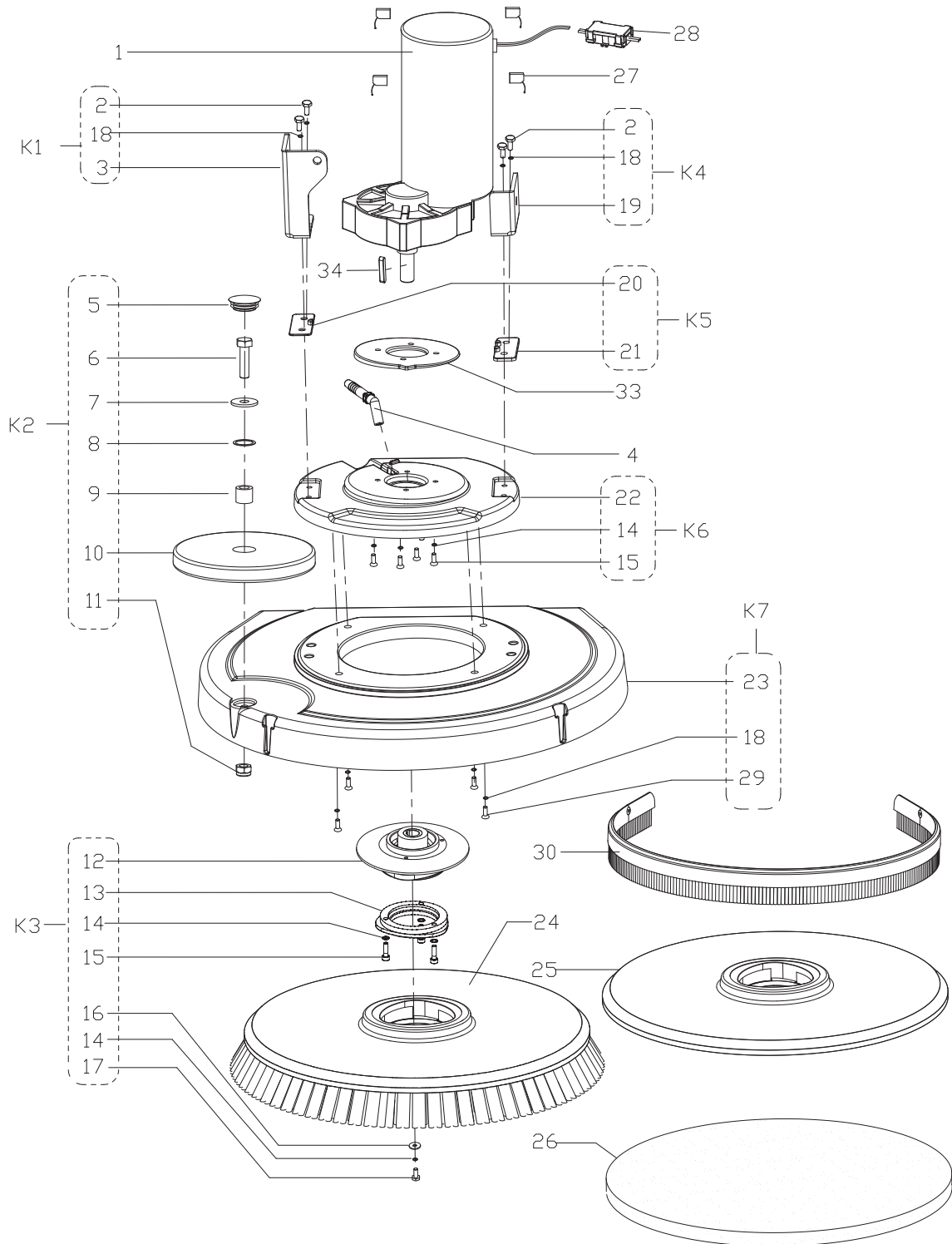
Pos.	Артикул	кол-во	Описание	Notes
1		1	K1	
2		1	K1	
3		1	K1	
4		6	K4	
5		1	K2	
6	VF90608	1	FILTER NET	
7		1	K2	
8		1	K2	
9		4	K4	
10	VF90282	1	SOLENOID VALVE KIT	
12		1	K3	
13		1	K3	
14		1	K3	
K1	VF91064	1	BALL VALVE KIT	
K2	VF90621	1	FILTER	
K3	VS10149	1	TUBE KIT 750MM	
K4	VS10148	1	SCREW AND CLAMP KIT	



Pos.	Артикул	кол-во	Описание	Notes
1	VS10401	1	FRONT SQUEEGEE SUPPORT	
2	VF91014	1	SQUEEGEE SPRING	
3		1	K7	
4		1	K7	
5		1	K7	
6		1	K7	
7		2	K7	
8		3	K7	
9	VF85104	1	HANDWHEEL M8X55	
10		1	K7	
11		1	K7	
12		1	K7	
13		1	K7	
14	VF91012	1	COATING SQUEEGEE CONNECTOR PLATE	
15		1	K7	
16		1	K7	
17		2	K7	
18		2	K7	
19	VS13401	1	BACK SQUEEGEE SUPPORT	
20		1	K7	
21		2	K7	
22		1	K7	
23	VF85311	1	SQUEEGEE FRONT STRAP	[1]
24X	9100000279	1	BLADES SQUEE. 740MM 29 GUM RUBBER KIT	
24X	909 6858 000	1	BLADES SQUEEGEE 740MM 29 PU KIT	
25	909 6044 000	1	SQUEEGEE 740MM 29 ALU	
26	9100000791	1	KNOB M8X30 THD STUD SS SIP	
27		2	K2	
28		2	K2	
29		2	K2	
30		2	K2	
31		2	K3	
32		2	K6	
33		2	K6	
34		2	K6	
35		1	K4	
36		1	K4	
37		2	K5	
38		1	K5	
39		2	K5	
40		1	K4	
41	909 6600 000	1	SCREW GRUB M8X30 CUP POINT SS ISO4029	
K1	909 6851 000	1	SQUEEGEE 740MM 29 ALU KIT	
K2	909 6884 000	1	ROLLER BUMPER SQUEEGE.KIT	
K3	909 6883 000	1	WHEELS SQUEEGEE 60X20MM KIT 2pcs	
K4	909 6882 000	1	BLADES SQUEEGEE 740MM 29 FIXING KIT	
K5	909 6394 000	1	LATCH SQUEEGEE KIT	
K6	9097637000	1	SQUEEGEE FIXING KIT	
K7	VS13711	1	HARDWARE SQUEEGEE SUPPORT KIT	

Part Notes:

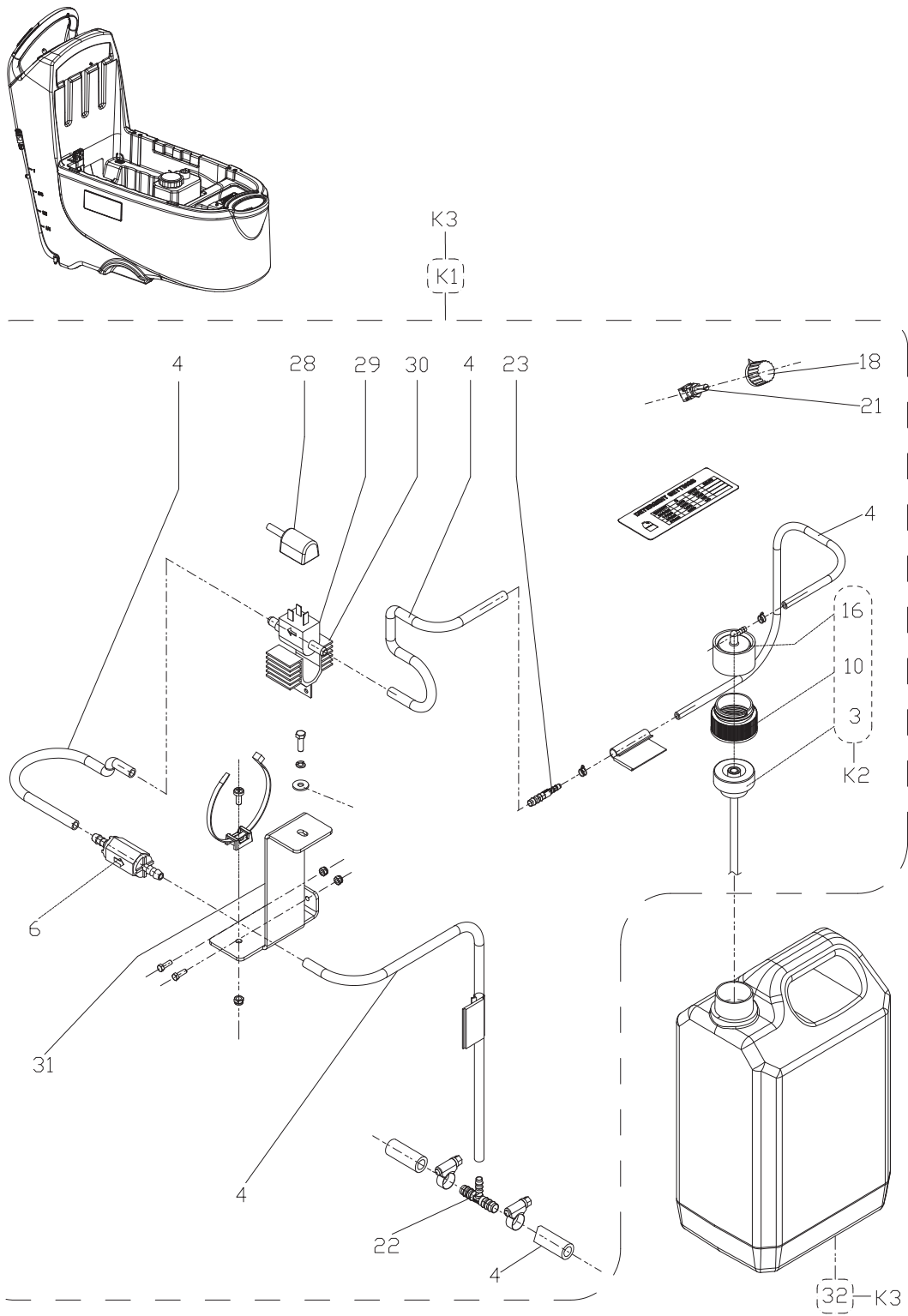
[1] - EXPIRED USE 909 6055 000



Pos.	Артикул	кол-во	Описание	Notes
1	VS10702	1	BRUSH MOTOR KIT	
2		8	K1/K4/K7	
3		1	K1	
4	VS10337	1	ELBOW	
5		1	K2	
6		1	K2	
7		1	K2	
8		1	K2	
9		1	K2	
10	VF91053	1	ROLLER BUMPER	
11		1	K2	
12	VF85122	1	HUB BRUSH RIGHT	
13	VF85129	1	BRUSH HUB	
14		8	K3/K6	
15		7	K3/K6	
16		1	K3	
17		1	K3	
18		8	K1/K4/K7	
19		1	K4	
20		1	K5	[1]
21		1	K5	[1]
22		1	K6	
23		1	K7	
24	VF91040	1	BRUSH	[2]
24	L08837025	1	BRUSH DISC 530MM 21 PROLENE BLUE	[2]
25	9099671000	1	PAD HOLDER FLAT 20 508MM	
26	10001961	1	PAD 21 533MM ECO BLACK5PCS	[2]
26	10001962	1	PAD 21 533MM ECO BLUE 5PCS	[2]
26	10001963	1	PAD 21 533MM ECO BROWN 5PCS	[2]
26	10001964	1	PAD 21 533MM ECO GREEN 5PCS	[2]
26	10001965	1	PAD 21 533MM ECO RED 5PCS	[2]
26	10001966	1	PAD 21 533MM ECO WHITE 5PCS	[2]
26	10002352	1	PAD 21 533MM ECO BRILLIANCE RED 2PCS	[2]
26	10002354	1	PAD 21 533MM ECO BRILLIANCE YELLOW 2PCS	[2]
26	10002355	1	Пэд 21 533MM ECO BRILLIANCE зеленый 2ШТ	[2]
27	VF89116	4	CARBON BRUSH KIT	
28	VR27100	1	WATERPROOF CASE	
29		4	K7	
30	VS13752	1	20INCH SKIRT KIT	
33	VS11308	1	BALANCE BLOCK	[3]
34	VS11707	1	CARBON BRUSH COVER PLASTIC	
K1	VS10127	1	LONG CONNECTION PLATE KIT	
K2	VF85017	1	BUMPER ROLLER KIT	
K3	VF85002	1	HOLDER POLYG. WITH FLAGE KIT	
K4	VS10132	1	SHORT CONNECTION PLATE KIT	
K5	VS13712	1	PLATE KIT	[1]
K6	VS10128	1	MOTOR FIXING PLATE KIT	
K7	VS13713	1	BRUSH DECK KIT	

Part Notes:

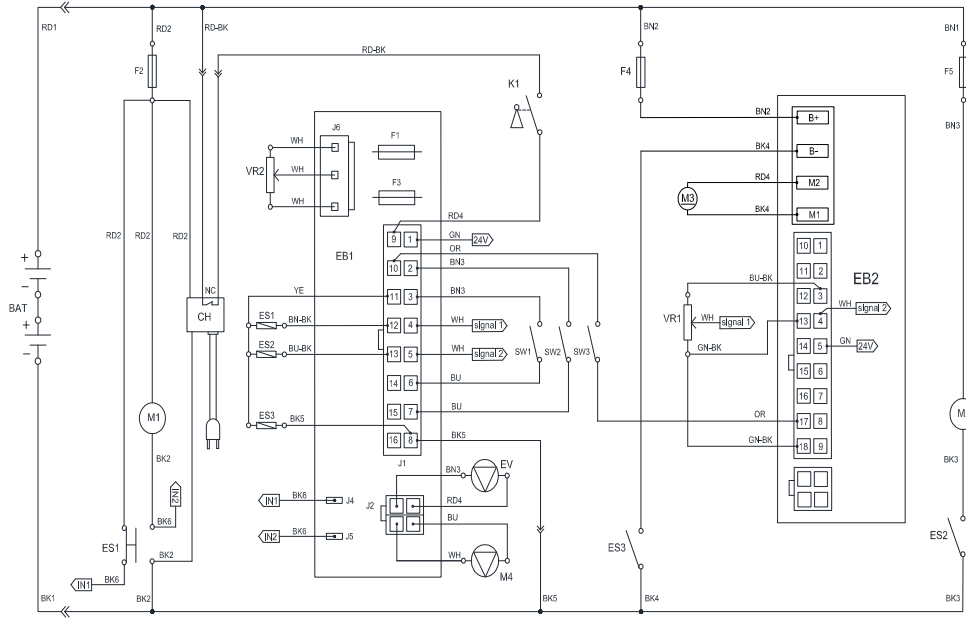
- [1] - WITHOUT TRACTION
- [2] - Optional
- [3] - With traction



Pos.	Артикул	кол-во	Описание	Notes
		1	Assembly instruction Chemical mixing	[1]
3		1	SYPHON HOSE VALVE(SEE ADAPTER CAP ASSY)	
4	9097175000	1	HOSES DETERGENT SOLUTION KIT	
6	9097030000	1	CHECK VALVE 1/4 PVC	
10		1	ADAPTER(SEE ADAPTER CAP ASSY)	
16		1	CAP DRY BREAK(SEE ADAPTER CAP ASSY)	
18	145 4719 000	1	KNOB F/POTENTIOMETER	
21	909 6076 000	1	POTENTIOMETER 100K WIRED	
22	909 6092 000	1	HOLDER RUBBER T	
23	909 6090 000	1	BARB HOSE REDUCING D.6-D4 PLASTIC	
28	9097041000	1	HARNES DETERGENT SOLUTION PUMP	
29	53721A	1	PUMP CHEMICAL	
30	61772A	1	BRACKET CHEMICAL PUMP	
31	9097084000	1	BRACKET PUMP SUPPORT	
32	56104190	1	ECOFLEX BOTTLE ASSY	
K1	9097160000	1	DETERGENT SOLUTION SYSTEM KIT	[1]
K2	54778A	1	ADAPTER CAP 38MM	
K3	56394293	1		

Part Notes:

- [1] - Optional
9097159000. Chemical mixing system PN. 9097160000



Pos.	Артикул	кол-во	Описание	Notes
BAT		1	24V BATTERIES	
CH	VS10264	1	24V 13A CHARGER KIT WITH MAGNET RING AGM	
EB1	VS13201	1	CONTROL PANEL BOARD	
EB2	VS10209	1	ELECTRONIC BOARD TRACTION SYSTEM	
ES1	909 5127 000	1	SWITCH ELECTROMAGNETIC 24V D	
ES2	VS10201	1	RELAY 24V	
ES3	VS10201	1	RELAY 24V	
F1	VS13208	1	LOW POWER CIRCUIT FUSE	
F2	ZD48320	1	CIRCUIT BREAKER 30A	
F3	VS13209		BRUSH RELEASE FUSE	
F4	VF99012	1	CIRCUIT BREAKER 12 AMP	
F5	ZD48320	1	CIRCUIT BREAKER 30A	[1]
K1	9100001354	1	SWITCH IGNITION STARTER WITH CAP SIP	
M1	VS10702	1	BRUSH MOTOR KIT	
M2	VF90520	1	VACUUM MOTOR	
M3	VS11702	1	MOTOR TRACTION	
M4	VF90282	1	SOLENOID VALVE KIT	
M5		1	DETERGENT PUMP	
SW1	VS10202	1	SWITCH	[2]
SW2	VS10202	1	SWITCH	[2]
SW3	VS10202	1	SWITCH	[2]
VR1	VS10213	1	POTENTIOMETER	
VR2		1	DETERGENT PUMP POTENTIOMETER	

Part Notes:

- [1] - TSB-FC-2019-025 brush circuit breaker
 [2] - TSB-FC-2019-038 drive switch SC530
 DE TSB-FC-2019-038 SC530 Fahrschalter

