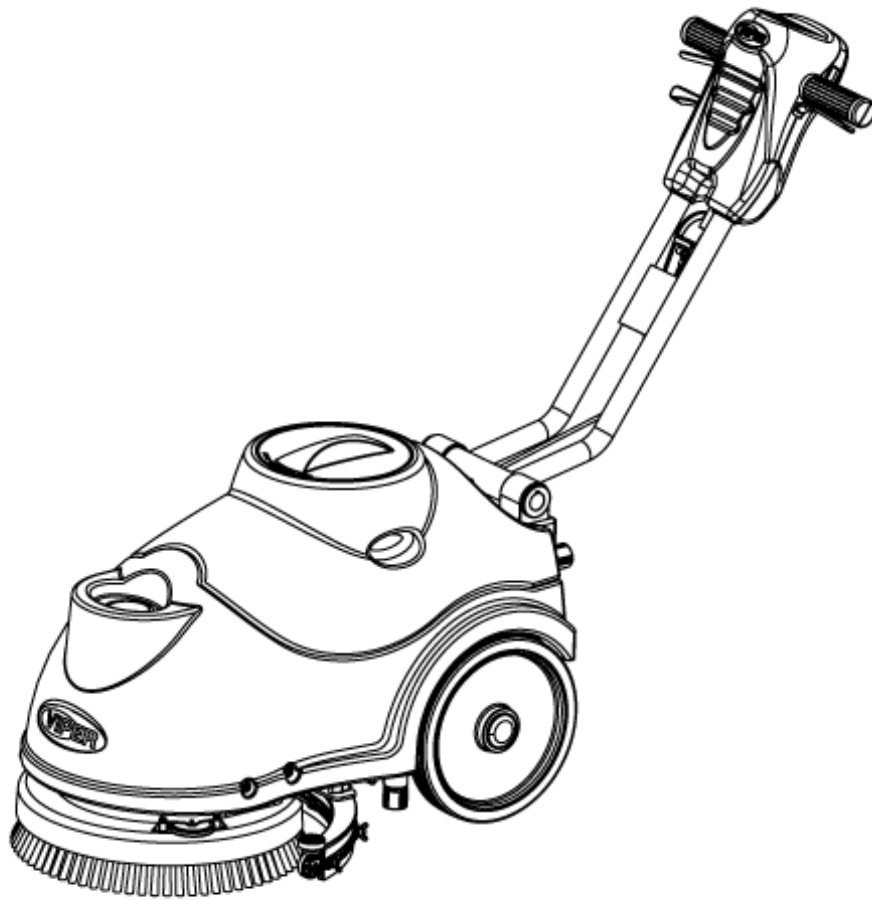


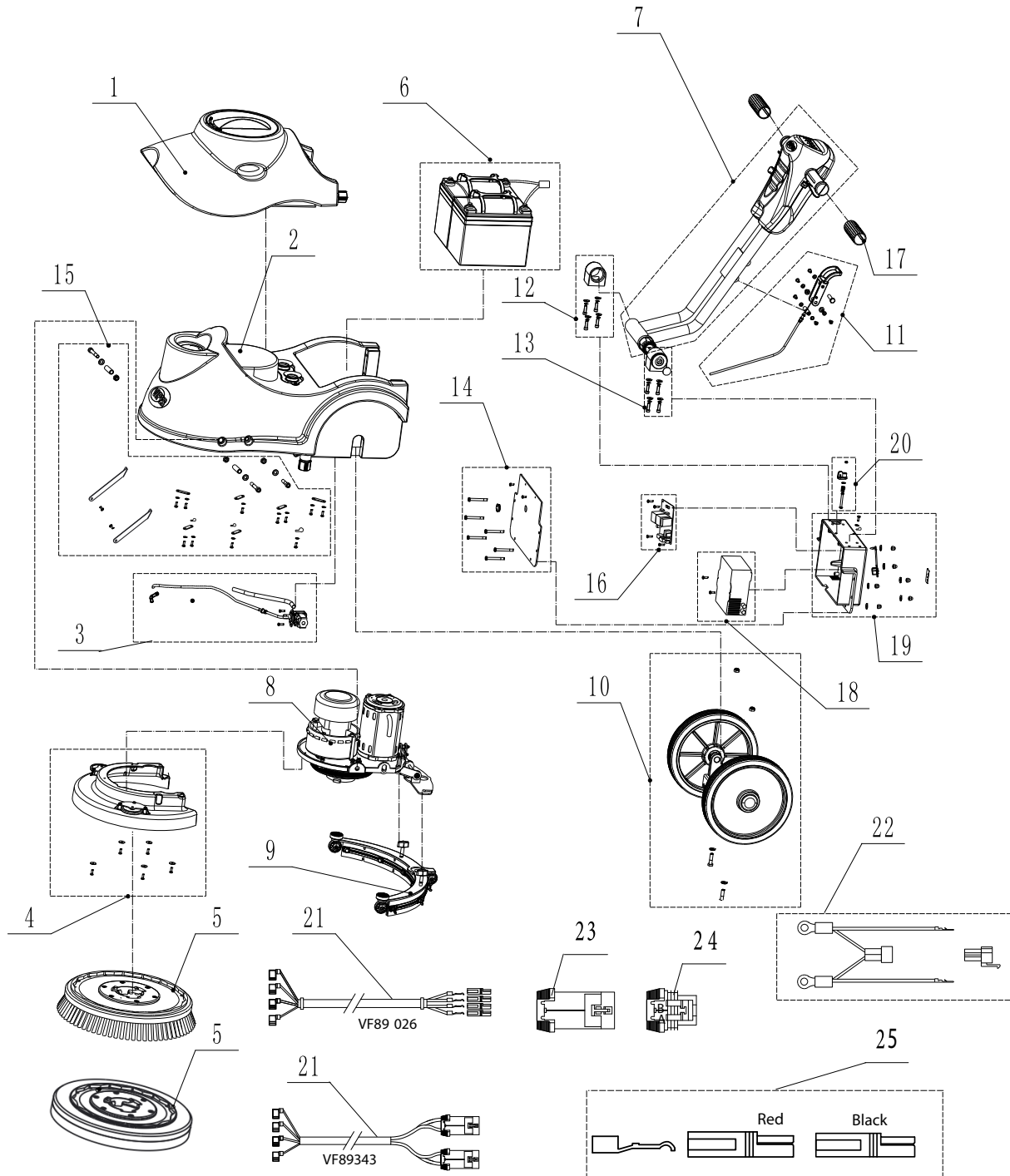
PARTS LIST



2020.05.27

TABLE OF CONTENTS

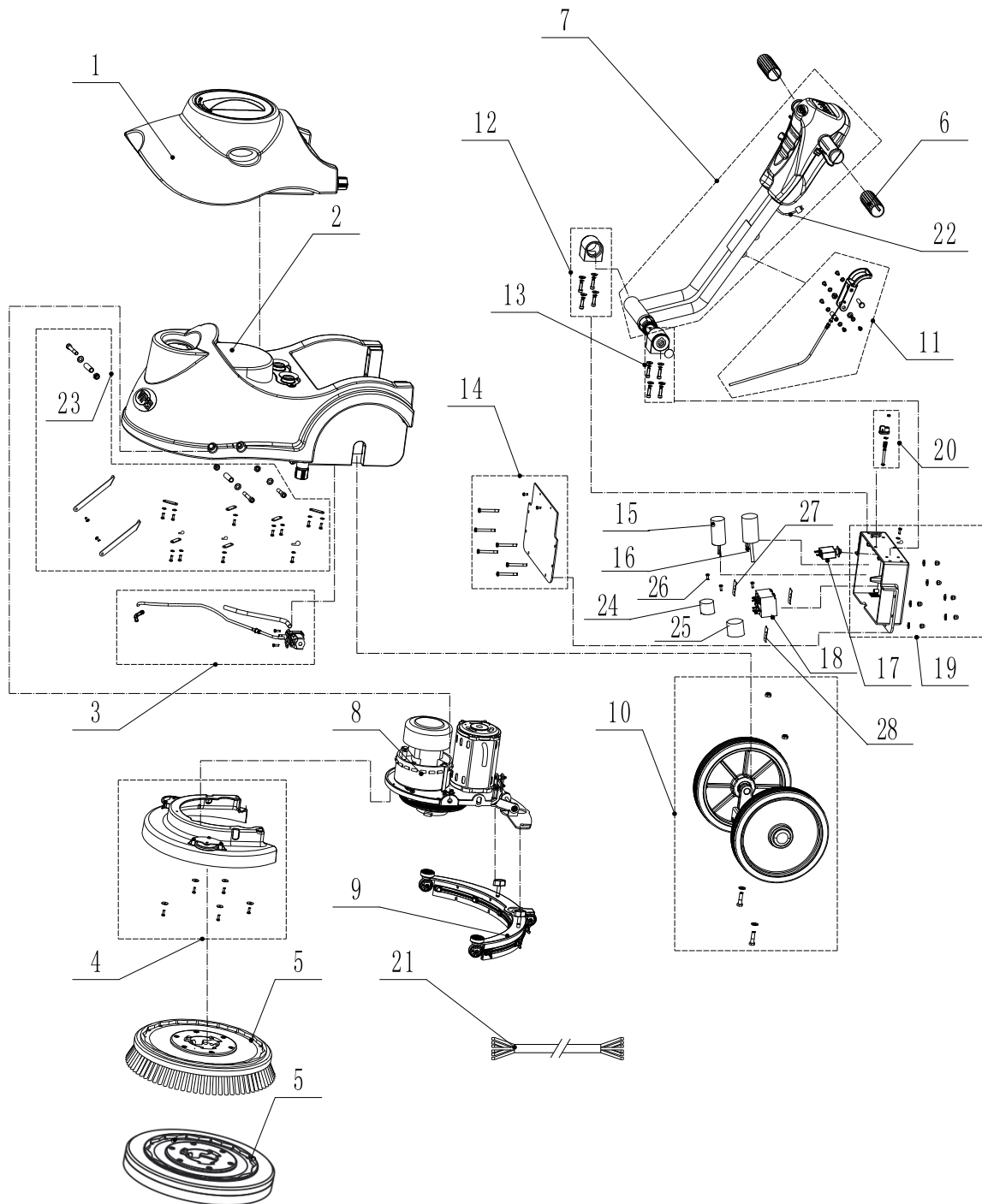
OVERVIEW 15B.....	1
OVERVIEW 15C.....	3
SOLUTION TANK.....	5
MOTOR FIXING PLATE.....	7
BRUSH.....	9
HANDLE CONTROL 15B.....	11
HANDLE CONTROL 15C.....	13
RECOVERY TANK.....	15
SQUEEGEE.....	17
WEAR AND TEAR PARTS.....	19



Pos.	Артикул	кол-во	Описание	Notes
1	VF89827	1	KIT RECOVERY TANK 15L	[1]
2	VF89100	1	KIT SOLUTION TANK 15L	
3	VF89844	1	KIT SOLENOID VALVE	[2]
3	VF89033A	1	KIT SOLENOID WALVE 24V	[3]
4	VF89400	1	KIT BRUSH DECK PP	
5	VF89830	1	BRUSH DISC 380MM 15 PPL	[4]
5	VF89817	1	PAD HOLDER 381MM 15	[4]
6	VF89039	1	KIT BATTERY 24V AGM	[5]
7	VF89600	1	KIT HANDLE ASSEMBLY	
8	VF89835	1	KIT MOUNTING PLATE MOTOR	
9	VF89821	1	SQUEEGEE ALUMINUM	
10	VF89200	1	KIT WHEEL AND AXLE	
11	VF89007A	1	KIT LIFT CABLE SQUEEGEE	[6]
11	VF89007B	1	KIT LIFT CABLE SQUEEGEE	[7]
12	VF89002A	1	KIT FIXING BLOCK RIGHT	
13	VF89001A	1	KIT FIXING BLOCK LEFT	
14	VF89006A	1	COVER HOUSING CIRCUIT	
15	VF89303A	1	KIT WASHER SCREW AND BUSHING SOLUTION TA	
16	VF89025A	1	KIT MAIN CONTROL CIRCUIT BOARD	
17	VF89012	1	HANDLE GRIP RUBBER	
18	VF89023UK	1	KIT CHARGER 24VDC 50-60HZ	
18	VF89023EU	1	KIT CHARGER 24VDC 50-60HZ	
18	VF89023AU	1		
19	VF89003A	1	KIT CIRCUIT BOX ALUMINUM	
20	VF89004A	1	KIT LOCK RECOVERY TANK	
21	VF89026	1	WIRE HARNESS MOTOR	[8]
21	VF89343	1	MOTOR CABLE HARNESS	[9]
22	VF89022	1	MAIN POWER CABLE 320MM	
23	VF85450A	1	CONNECTOR MALE	
24	VF85450C	1	CONNECTOR FEMALE	
25	VF85727	1	CONNECTOR TERMINAL	
25	VF85723	1	RED CONNECTOR HOUSING	
25	VF85724	1	BLACK CONNECTOR HOUSING	

Part Notes:

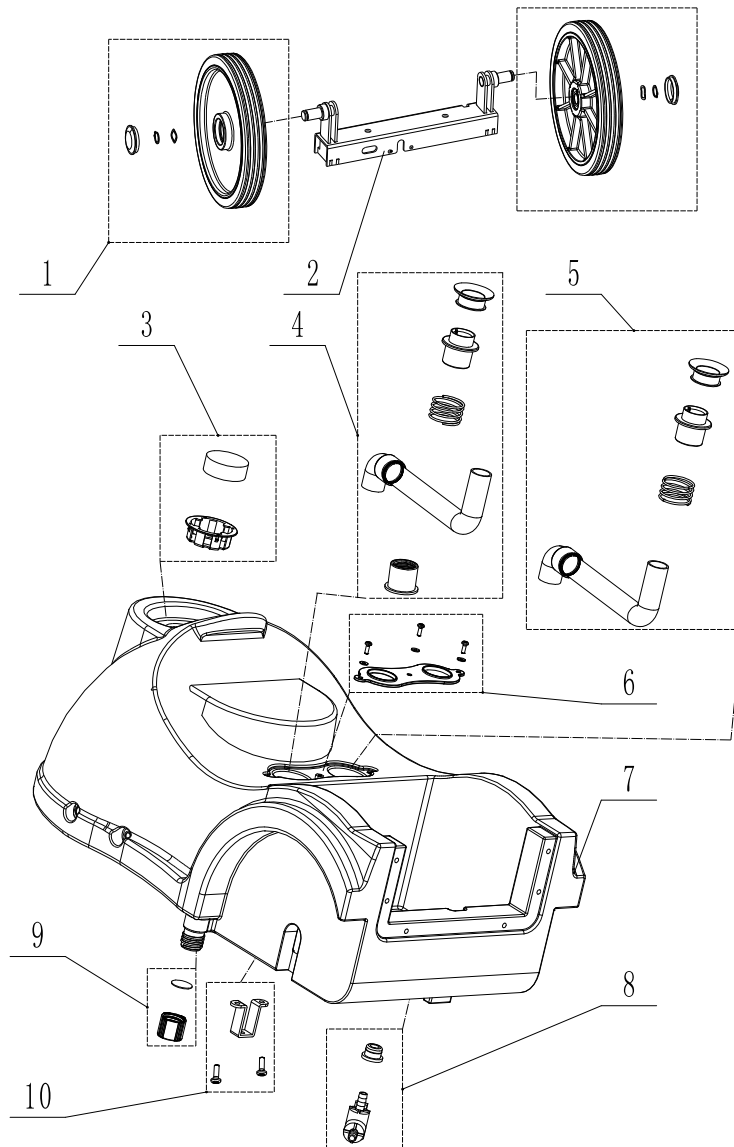
- [1] - TSB 2014-005 AS380 FANG15 Vacuum improvement
- [2] - After May/30/2014
- [3] - Before May/30/2014
- [4] - TSB 2014-004 AS380 FANG15 Water splash
- [5] - PRUNED - NO REPLACEMENT
- [6] - Before Dec/12/2013
- [7] - After Dec/12/2013
- [8] - Model AS380/15B-EU, up to serial number EU004735H
Model AS380/15B-EUNB, up to serial number EUNB001000K
Model AS380/15B-UK, up to serial number UK001540H
Model AS380/15B-AU, up to serial number AU001384H
Model AS380/15B-TR, up to serial number TR001840K
- [9] - Model AS380/15B-EU, from serial number EU004736H
Model AS380/15B-EUNB, from serial number EUNB001001K
Model AS380/15B-UK, from serial number UK001541H
Model AS380/15B-AU, from serial number AU001385H
Model AS380/15B-TR, from to serial number TR001841K



Pos.	Артикул	кол-во	Описание	Notes
1	VF89827	1	KIT RECOVERY TANK 15L	[1]
2	VF89100	1	KIT SOLUTION TANK 15L	
3	VF89033B	1	KIT SOLENOID WALVE 220V	[2]
3	VF89845	1	KIT SOLENOID VALVE 220V	[3]
4	VF89400	1	KIT BRUSH DECK PP	
5	VF89817	1	PAD HOLDER 381MM 15	[4]
5	VF89830	1	BRUSH DISC 380MM 15 PPL	[4]
6	VF89012	2	HANDLE GRIP RUBBER	
7	VF89600D	1	HANDLE ASSEMBLY KIT INCL. UK POWER CORD	
7	VF89600C	1	KIT HANDLE ASSEMBLY INCL. POWER CORD	
7	VF89877	1	HANDLE ASSEMBLY AU VERSION	
8	VF89833	1		
9	VF89821	1	SQUEEGEE ALUMINUM	
10	VF89200	1	KIT WHEEL AND AXLE	
11	VF89007A	1	KIT LIFT CABLE SQUEEGEE	[5]
11	VF89007B	1	KIT LIFT CABLE SQUEEGEE	[6]
12	VF89002A	1	KIT FIXING BLOCK RIGHT	
13	VF89001A	1	KIT FIXING BLOCK LEFT	
14	VF89006B	1	CIRCUIT COVER PLATE	
15	VF89041-1	1	UN CAPACITOR 6.3uF/450V	
16	VF89041-2	1	START CAPACITOR 20uF/250V	
17	VF89040	1	BREAKER CIRCUIT 6AMP	
18	VF89041-3	1	RELAY FLA 16A 277V 50HZ/RES 35A 277V	
19	VF89003B	1	KIT CIRCUIT BOX	
20	VF89004A	1	KIT LOCK RECOVERY TANK	
21	VF89044C	1	WIRE HARNESS MOTOR	
22	VF89043-EU	1	POWER CORD H05VV-F 3X1.0MM2 15M ORANGE	
22	VF89043-UK	1	CABLE H05VV-F 3X1.0MM2 15M ORANGE UK	
22	VF89861	1	POWER CORD WITH AU PLUG	
23	VF89303A	1	KIT WASHER SCREW AND BUSHING SOLUTION TA	
24	VF72127	1	HOLDER FOR START SWITCH	
25	VF72124	1	HOLDER BIG CAPACITOR	
26	VA13472	3	SCREW M4X8	
27	VF89072	1	FIXING EVA	
28	VF89071	2	FIXING EVA	

Part Notes:

- [1] - TSB 2014-005 AS380 FANG15 Vacuum improvement
- [2] - Before May/30/2014
- [3] - After May/30/2014
- [4] - TSB 2014-004 AS380 FANG15 Water splash
- [5] - Before Dec/12/2013
- [6] - After Dec/12/2013



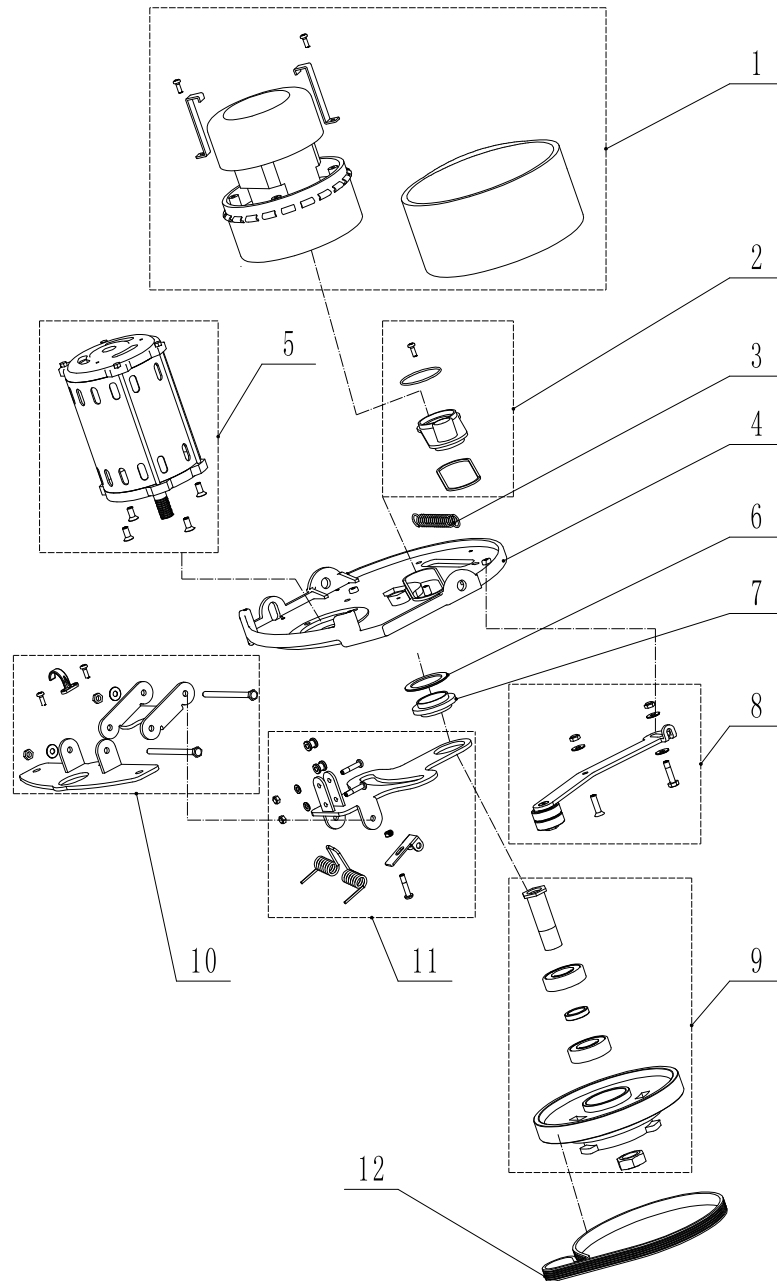
SOLUTION TANK

AS380/15

2017.11.02

2016.08.09

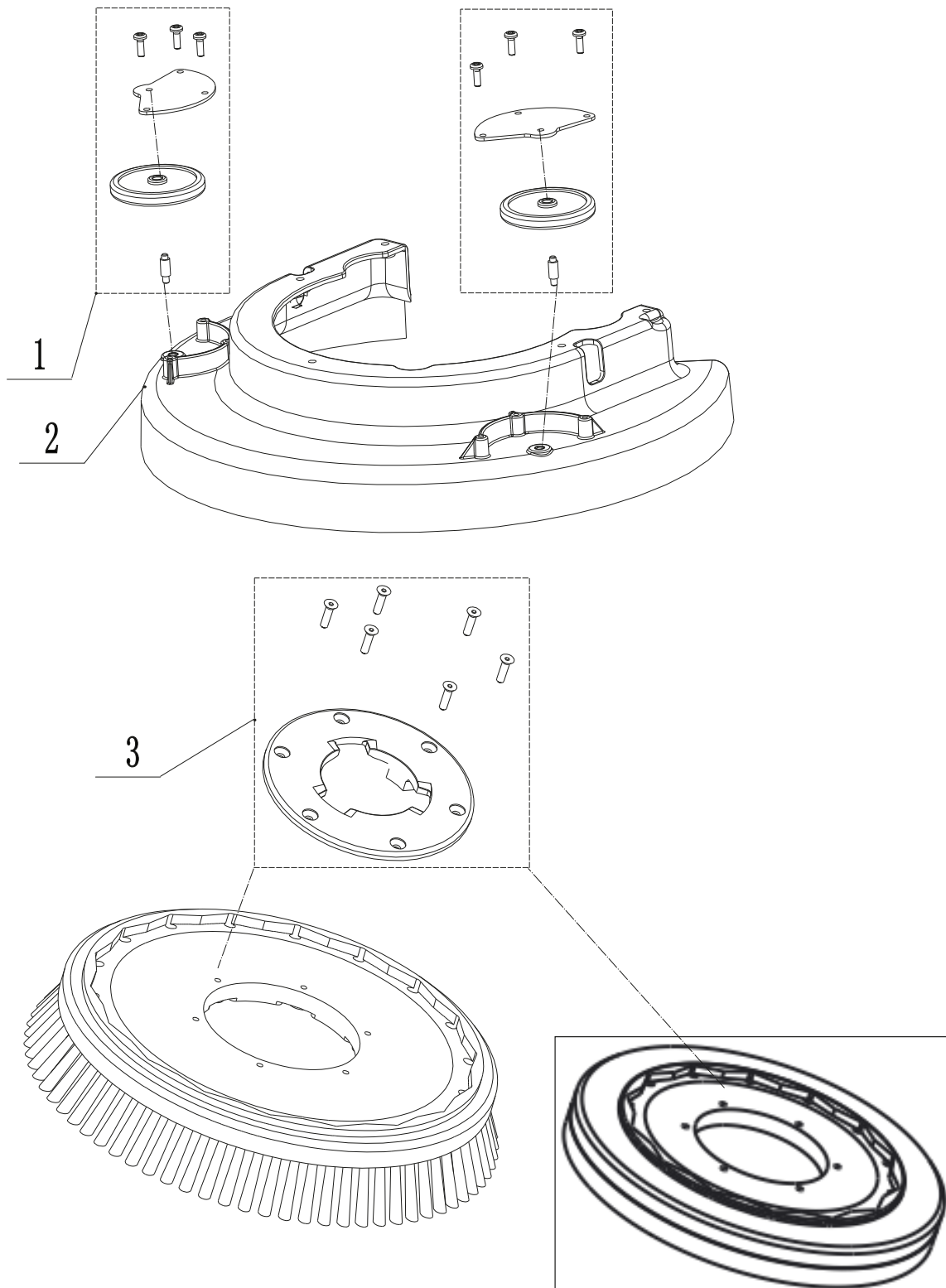
Pos.	Артикул	кол-во	Описание	Notes
1	VF89202A	2	KIT WHEEL 10 INCH PLASTIC	
2	VF89201	1	KIT AXLE WHEEL METAL	
3	VF89113A	1	KIT FILTER WATER IN-LET	
4	VF89105B	1	KIT SUCTION HOSE DIRTY WATER	
5	VF89104A	1	KIT VACUUM HOSE PLASTIC	
6	VF89106A	1	KIT FIXING PLATE HOSE PLASTIC	
7	VF89101A	1	KIT SOLUTION TANK 15L LLDPE	
8	VF89111	1	KIT SOLUTION CONTROL SWITCH	
9	VF89110A	1	KIT DRAIN WATER	
10	VF89112A	1	CABLE LIFT FIXING	



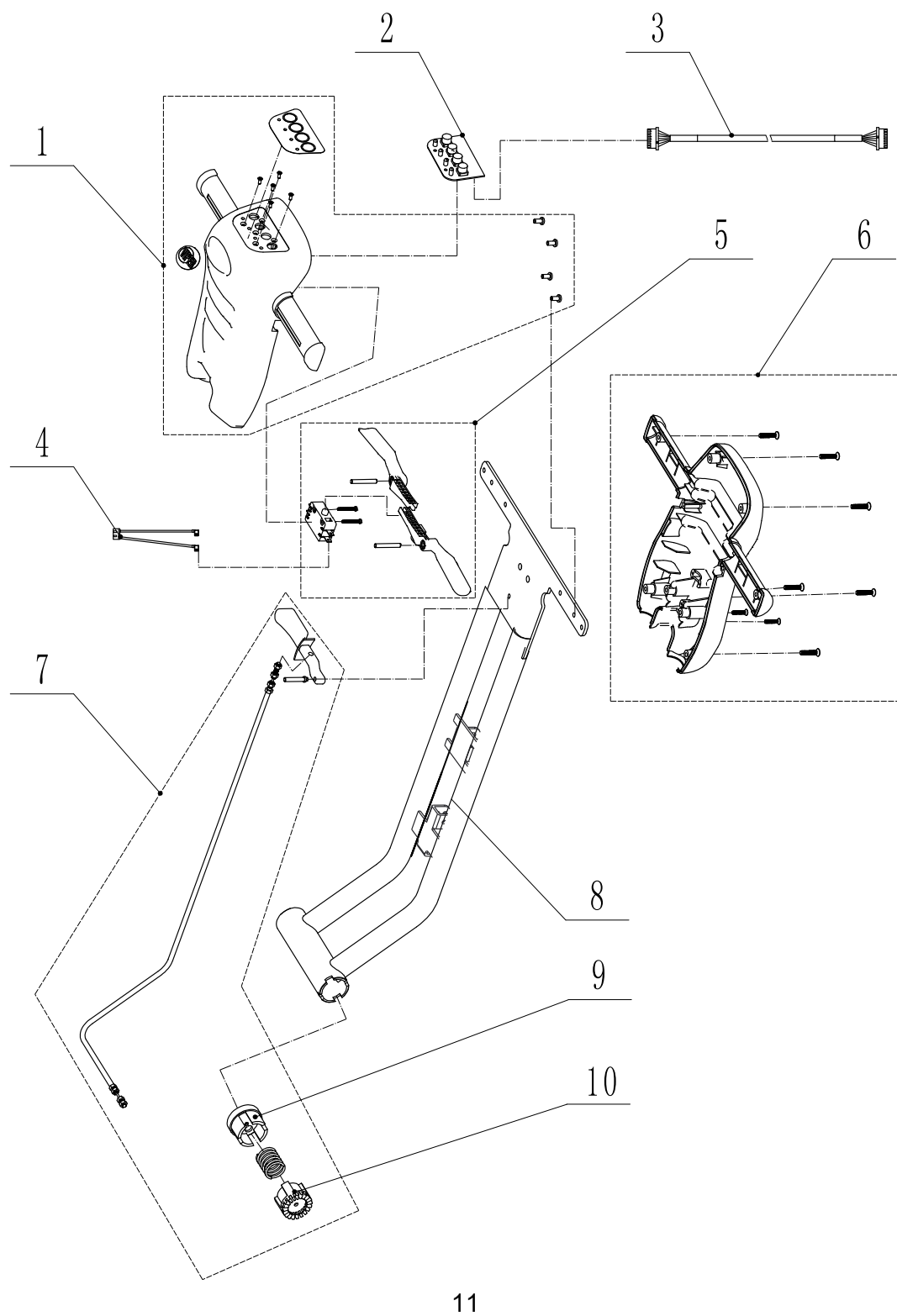
Pos.	Артикул	кол-во	Описание	Notes
1B	VF89341EU	1	VACUUM MOTOR ASSY EU	[1]
1B	VF89309B	1	KIT VACCUM MOTOR 24V 250W 10A	[2]
1C	VF89309C	1	KIT VACCUM MOTOR 220V-240V 250W 1.1A	[3]
2	VF89306A	1	KIT VACUUM SEALING	
3	VF89318	1	SPRING 65MN	
4	VF89301	1	SEAT MOTOR ALUMINUM	
5B	VF89342EU	1	BRUSH MOTOR ASSY EU	[2]
5B	VF89302B	1	KIT BRUSH MOTOR 24V 250W 15A	[2]
5C	VF89041C	1	KIT BRUSH MOTOR 220V-240V 250W 1.8A	[3]
6	VF89311	1	WASHER SST 50x1.5MM	
7	VF89319	1	BUSHING BRACKET BRONZE	
8	VF89314A	1	KIT BELT ADJUSTING HARDWARE	
9	VF89321A	1	KIT PULLEY BELT	
10	VF89324A	1	KIT BRACKET SQUEEGEE LIFT	
11	VF89836	1	PIVOT PLATE	
12	VF89323	1	DRIVING BELT PJ270	

Part Notes:

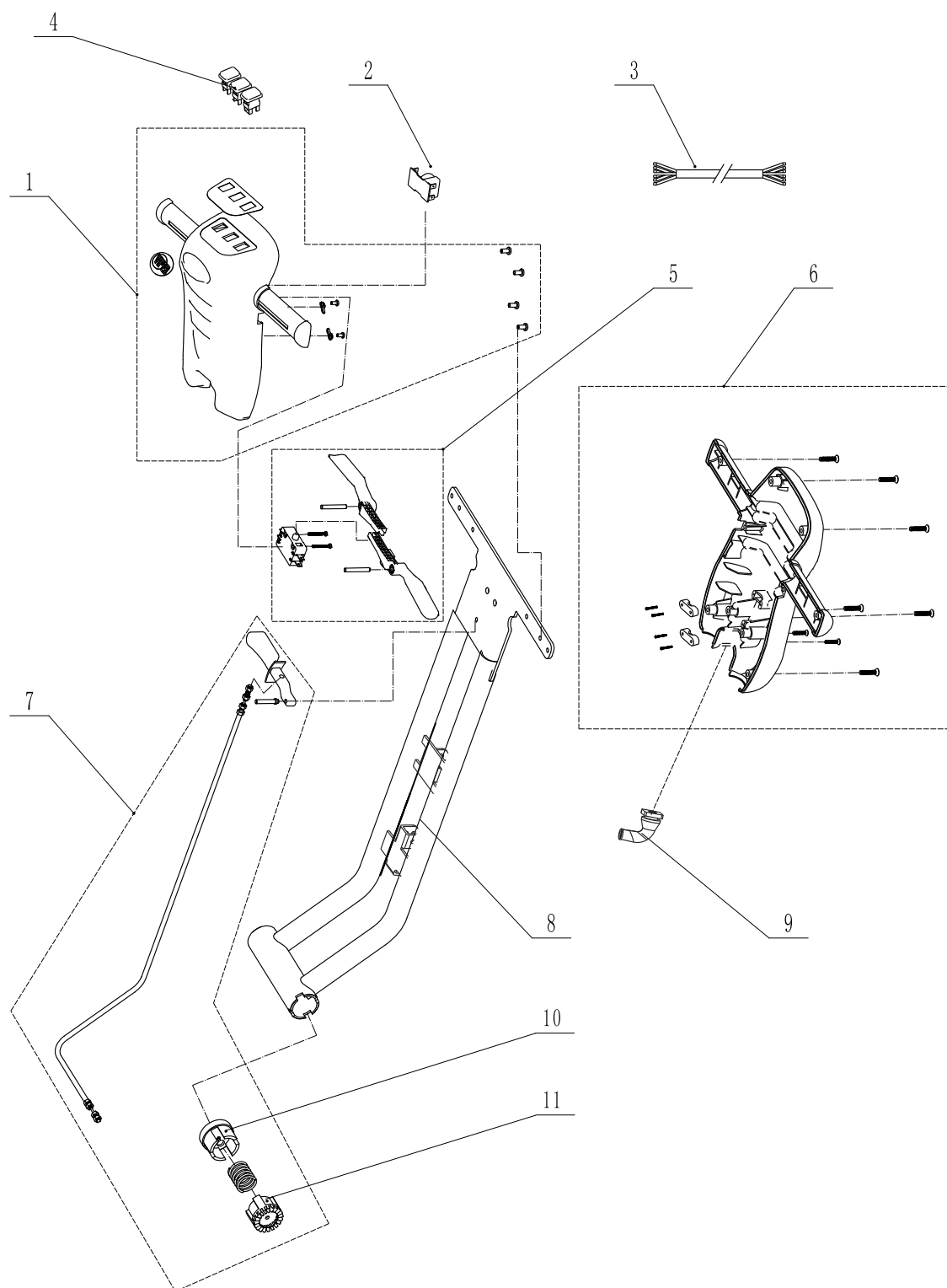
- [1] - Model AS380/15B-EU, from serial number EU004736H
 Model AS380/15B-EUNB, from serial number EUNB001001K
 Model AS380/15B-UK, from serial number UK001541H
 Model AS380/15B-AU, from serial number AU001385H
 Model AS380/15B-TR, from serial number TR001841K
- [2] - Model AS380/15B-EU, up to serial number EU004735H
 Model AS380/15B-EUNB, up to serial number EUNB001000K
 Model AS380/15B-UK, up to serial number UK001540H
 Model AS380/15B-AU, up to serial number AU001384H
 Model AS380/15B-TR, up to serial number TR001840K
- [3] - AS380/15C



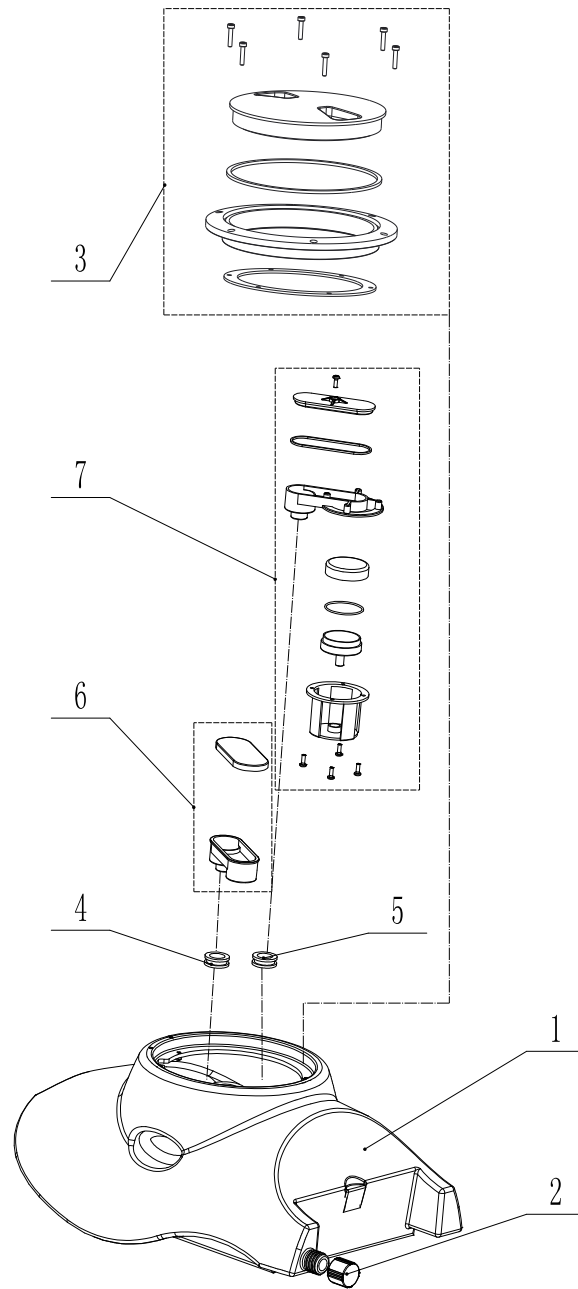
Pos.	Артикул	кол-во	Описание	Notes
1	VF89402A	2	KIT WHEEL BUMPER 60MM	
2	VF89401	1	DECK BRUSH PP	
3	VF89803A	1	KIT CLUTCH BRUSH PA INCL.SCREWS	



Pos.	Артикул	кол-во	Описание	Notes
1	VF89608B	1	KIT CONTROL HOUSING FRONT	
2	VF89025-4	1	BOARD CONTROL PANEL	
3	VF89025-3	1	COMMUNICATION WIRE	
4	VF89620	1	CONNECTION WIRE SWITCH	
5	VF89615A	1	KIT TRIGGER AND SWITCH	
6	VF89618B	1	KIT CONTROL HOUSING REAR	
7	VF89610A	1	KIT HANDLE RELEASE	
8	VF89601A	1	HANDLE METAL	
9	VF89612	1	BUSHING GUIDE GEAR	
10	VF89614	1	GEAR ROTATE	



Pos.	Артикул	кол-во	Описание	Notes
1	VF89625C	1	KIT FRONT CONTROL HOUSING	
2	VA41028C	1	ELECTRO MAGNETIC INTERFERENCE	
3	VF89044D	1	KIT CONTROL WIRE	
4	VF89623	3	SWITCH CONTROL	
5	VF89615A	1	KIT TRIGGER AND SWITCH	
6	VF89627C	1	KIT REAR CONTROL HOUSING	
7	VF89610A	1	KIT HANDLE RELEASE	
8	VF89601A	1	HANDLE METAL	
9	VF89075	1	GROMMET POWER CABLE	
10	VF89612	1	BUSHING GUIDE GEAR	
11	VF89614	1	GEAR ROTATE	



RECOVERY TANK

AS380/15

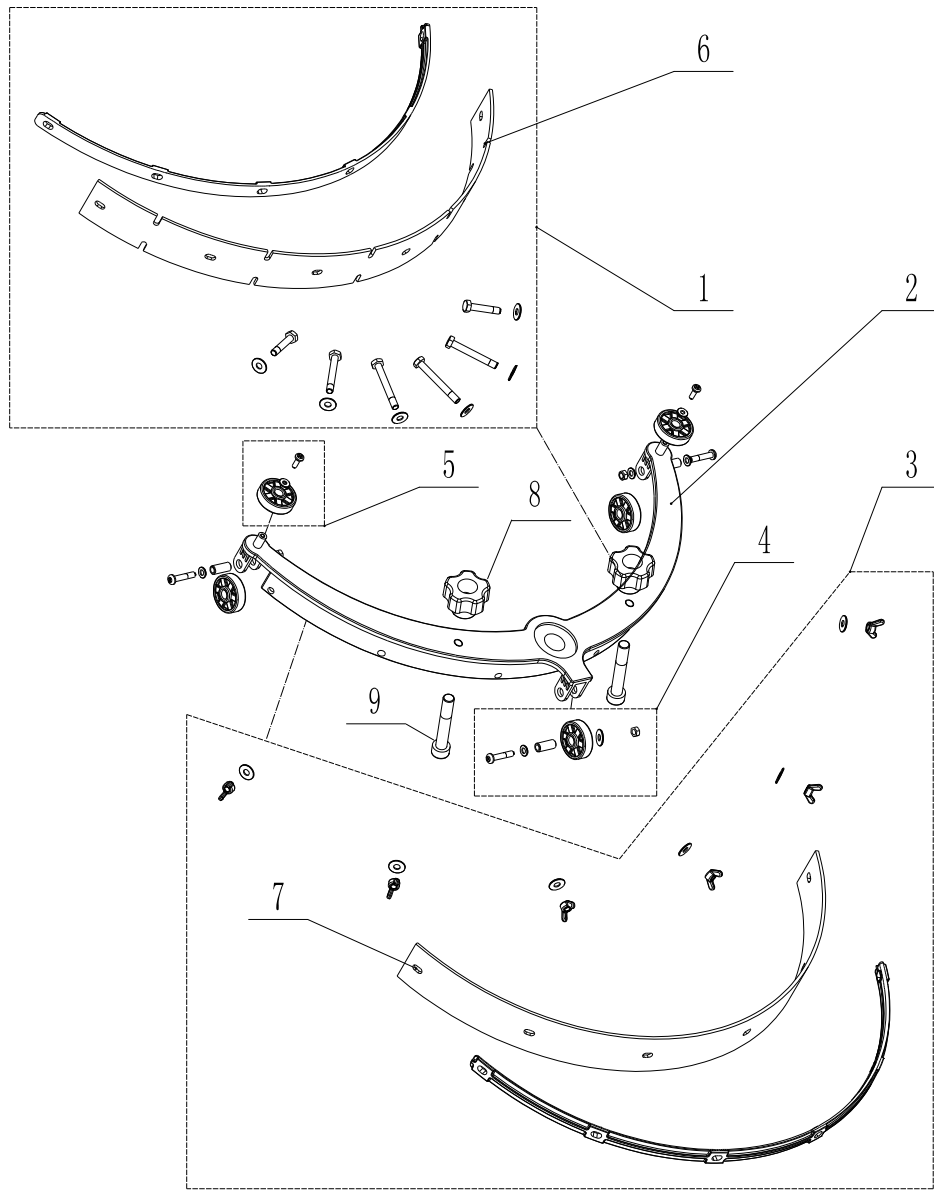
2017.11.02

2019.10.10

Pos.	Артикул	кол-во	Описание	Notes
1	VF89701	1	RECOVERY TANK LLDPE	
2	VF89110A	1	KIT DRAIN WATER	
3	VF89716A	1	KIT RECOVERY TANK COVER	[1]
3	VF89827	1	KIT RECOVERY TANK 15L	[2]
4	VF89810	1	BUSHING TANK RUBBER BLACK	
5	VF89811	1	BUSHING TNAK RUBBER GREY	
6	VF89828	1	KIT SQUEEGEE SUCTION	
7	VF89829	1	KIT SQUEEGEE VACCUM	

Part Notes:

- [1] - After Dec.1,2013
- [2] - Before Dec.1,2013



Pos.	Артикул	кол-во	Описание	Notes
1	VF89822	1	BLADE KIT FRONT	
2	VF89815	1	SQUEEGEE BRACKET	
3	VF89825	1	BLADE KIT REAR	
4	VF89826	3	KIT WHEEL SQUEEGEE	
5	VF89506B	2	KIT WHEEL SQUEEGEE PROTECTION	
6	VF89807	1	BLADE SQUEEGEE FRONT GUM RUBBER 490MM 19	
6	VF89807-PU	1	BLADE SQUEEGEE FRONT PU 490MM 19	
7	VF89808	1	BLADE SQUEEGEE REAR GUM RUBBER 490MM 19	
7	VF89808-PU	1	BLADE SQUEEGEE REAR PU 490MM 19	
8	VF89510	2	SQUEEGEE SCREW KNOB	[1]
9	VF85698	2	HEX SOCKET SCREW M8X55	[1]

Part Notes:

[1] - TSB 2016-004 FANG15 AS380 squeegee screw knob improvement

**No
Diagram
Available**

**Parts List
Only**

Pos.	Артикул	кол-во	Описание	Notes
1	VF89033A	1	KIT SOLENOID VALVE 24V	
2	VF89039	1	KIT BATTERY 24V AGM	[1]
3	VF89007B	1	KIT LIFT CABLE SQUEEGEE	
3	VF89007A	1	KIT LIFT CABLE SQUEEGEE	
4	VF89025A	1	KIT MAIN CONTROL CIRCUIT BOARD	
5	VF89023UK	1	KIT CHARGER 24VDC 50-60HZ	
5	VF89023EU	1	KIT CHARGER 24VDC 50-60HZ	
6	VF89303A	1	KIT WASHER SCREW AND BUSHING SOLUTION TA	
7	VF89012	1	HANDLE GRIP RUBBER	
8	VF89202A	1	KIT WHEEL 10 INCH PLASTIC	
9	VF89105B	1	KIT SUCTION HOSE DIRTY WATER	
10	VF89104A	1	KIT VACUUM HOSE PLASTIC	
11	VF89111	1	KIT SOLUTION CONTROL SWITCH	
12	VF89110A	1	KIT DRAIN WATER	
13	VF89309B	1	KIT VACCUM MOTOR 24V 250W 10A	
14	VF89309C	1	KIT VACCUM MOTOR 220V-240V 250W 1.1A	
15	VF89302B	1	KIT BRUSH MOTOR 24V 250W 15A	
16	VF89041C	1	KIT BRUSH MOTOR 220V-240V 250W 1.8A	
17	VF89314A	1	KIT BELT ADJUSTING HARDWARE	
18	VF89323	1	DRIVING BELT PJ270	
19	VF89402A	1	KIT WHEEL BUMPER 60MM	
20	VF89401	1	DECK BRUSH PP	
21	VF89803A	1	KIT CLUTCH BRUSH PA INCL.SCREWS	
22	VF89817	1	PAD HOLDER 381MM 15	
22	VF89830	1	BRUSH DISC 380MM 15 PPL	
23	VF89025-4	1	BOARD CONTROL PANEL	
24	VF89025-3	1	COMMUNICATION WIRE	
25	VF89620	1	CONNECTION WIRE SWITCH	
26	VF89615A	1	KIT TRIGGER AND SWITCH	
27	VF89610A	1	KIT HANDLE RELEASE	
28	VF89701	1	RECOVERY TANK LLDPE	
29	VF89716A	1	KIT RECOVERY TANK COVER	
30	VF89810	1	BUSHING TANK RUBBER BLACK	
31	VF89811	1	BUSHING TNAK RUBBER GREY	
32	VF89828	1	KIT SQUEEGEE SUCTION	
33	VF89829	1	KIT SQUEEGEE VACCUM	
34	VF89826	1	KIT WHEEL SQUEEGEE	
35	VF89506B	1	KIT WHEEL SQUEEGEE PROTECTION	
36	VF89807	1	BLADE SQUEEGEE FRONT GUM RUBBER 490MM 19	
37	VF89807-PU	1	BLADE SQUEEGEE FRONT PU 490MM 19	
38	VF89808	1	BLADE SQUEEGEE REAR GUM RUBBER 490MM 19	
39	VF89808-PU	1	BLADE SQUEEGEE REAR PU 490MM 19	
40	VF89033B	1	KIT SOLENOID WALVE 220V	
41	VF89041-1	1	UN CAPACITOR 6.3uF/450V	
42	VF89041-2	1	START CAPACITOR 20uF/250V	
43	VF89040	1	BREAKER CIRCUIT 6AMP	
44	VF89041-3	1	RELAY FLA 16A 277V 50HZ/RES 35A 277V	
45	VF89044C	1	WIRE HARNESS MOTOR	
46	VF89043-EU	1	POWER CORD H05VV-F 3X1.0MM2 15M ORANGE	
46	VF89043-UK	1	CABLE H05VV-F 3X1.0MM2 15M ORANGE UK	
47	VA41028C	1	ELECTRO MAGNETIC INTERFERENCE	
48	VF89044D	1	KIT CONTROL WIRE	
49	VF89623	1	SWITCH CONTROL	
50	VF89075	1	GROMMET POWER CABLE	
51	VF89340	1	KIT SCREW M8X65 - M4X35	

Part Notes:

[1] - PRUNED - NO REPLACEMENT

